

# UNIVERSAL JOINT DIMENSIONAL DATA

# CONTENTS

---

How to identify and measure universal joint kits	Pg 3
Universal joint types	Pg 4 - 5
Lubrication points / Bearing cap types	Pg 5
Universal joint dimensional data	Pg 6 - 23
Application Listing	Pg 24 - 43
Part no. index	Pg 44 - 47



**\*\*E. & O.E\*\***

# HOW TO IDENTIFY AND MEASURE UNIVERSAL JOINT KITS

---

1. Determine UJ kit type by comparing with diagrams on next page.
2. Measure Bearing cap diameter (C).
  - (a) Important – note: measure with caps compressed ensuring needle rollers are not dislodged.
  - (b) Some kit types have 2 varying cup diameters.
3. Measure width over caps (W2) & over flanges (W1) as required for kit type – see diagrams.
4. For wing type bearing caps (3, 4 & 6) measure hole centres (D2 & D3).
5. Confirm bearing cap type & quantity.
6. Compare / match with data tables and record part number.
7. Contact BEATTYS DRIVELINE TECHNOLOGIES to confirm availability.

# UNIVERSAL JOINT TYPES

Fig 1

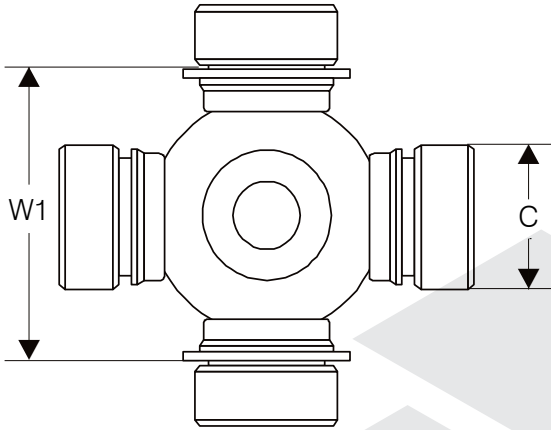


Fig 2

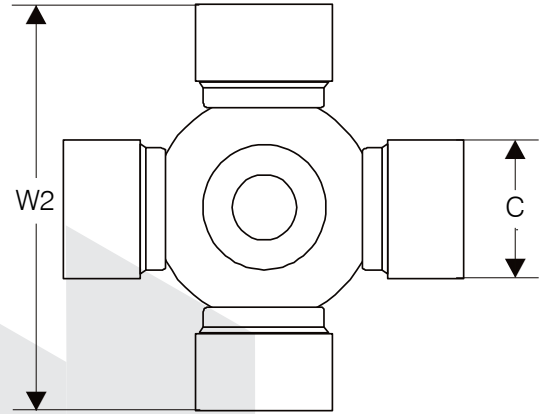


Fig 3

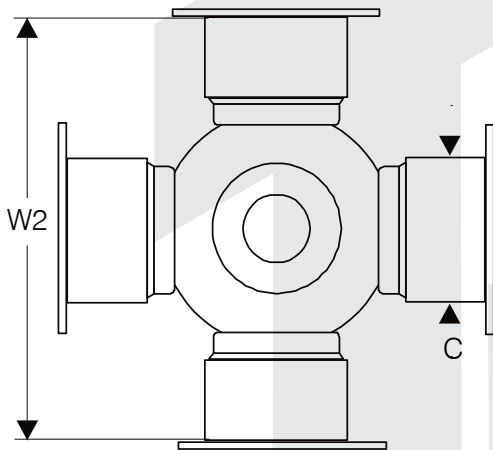


Fig 4

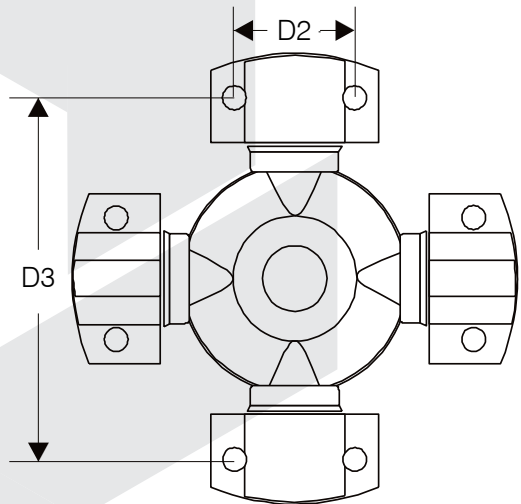


Fig 5

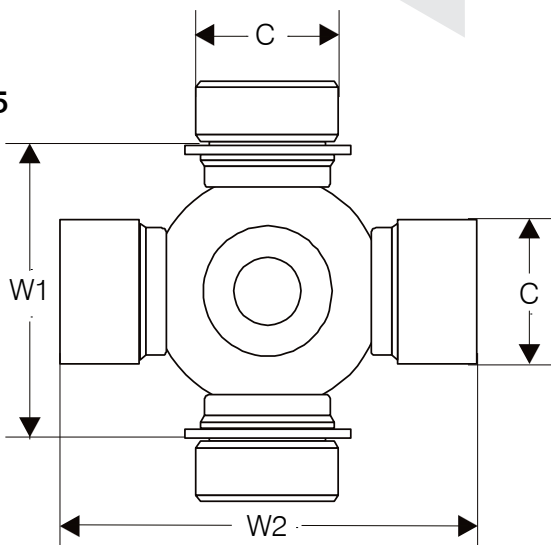
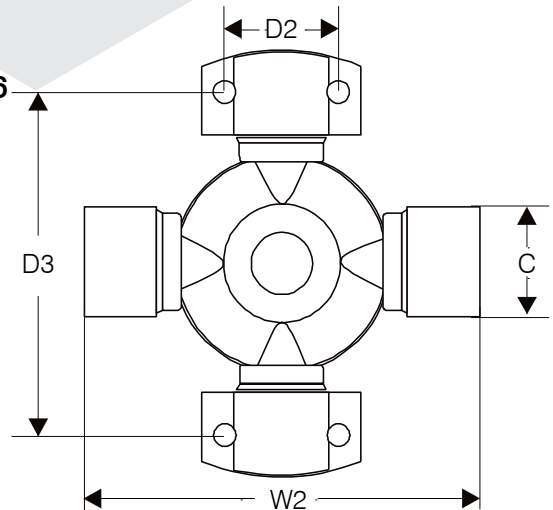


Fig 6



# UNIVERSAL JOINT TYPES

Fig 7

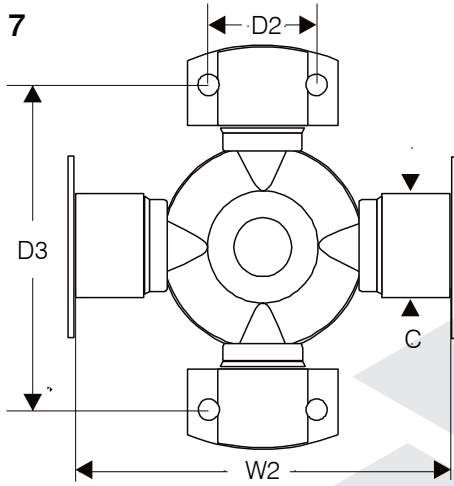


Fig 8

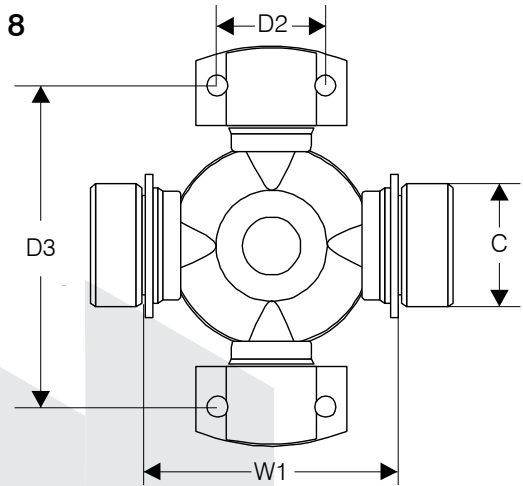


Fig 9

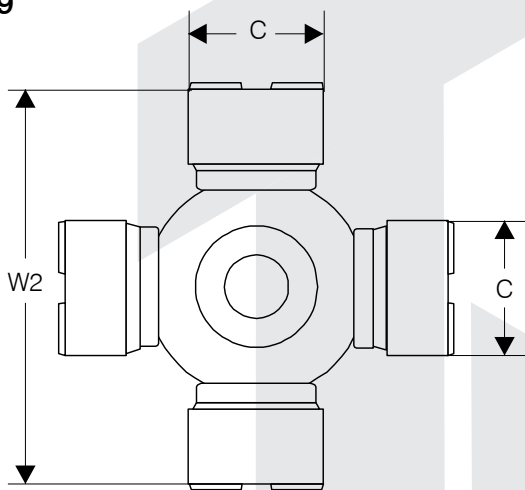
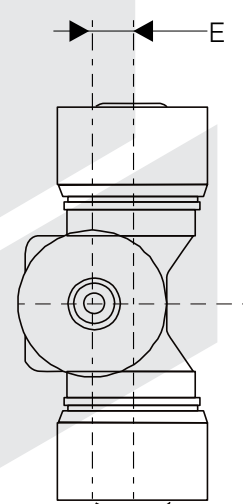
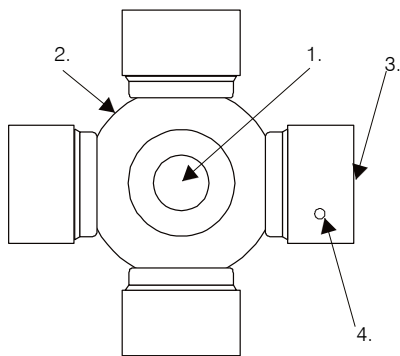


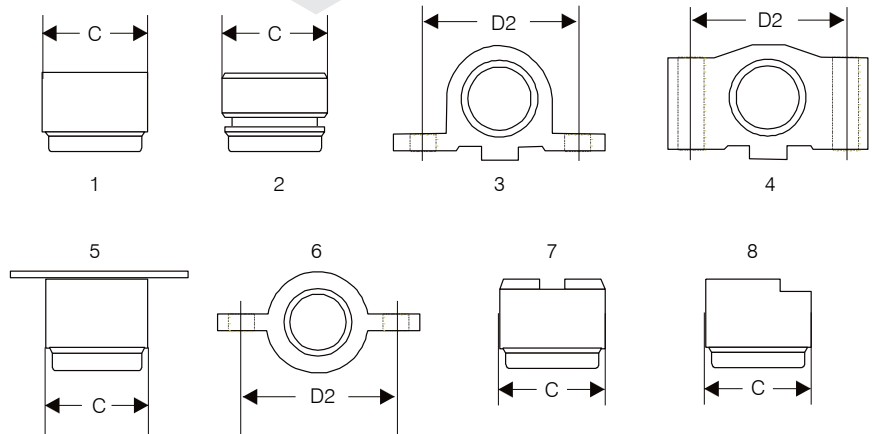
Fig 10



## LUBRICATION POINTS



## BEARING CAP TYPES



T = Tapped      D = Drilled & C/Bore

# UNIVERSAL JOINT DIMENSIONAL DATA

C	W1	W2	D2	D3	CAP QTY	CAP TYPE	FIG	PART NO.	LUBE	NOTES / APPLICATION
14		36			4	1	2	802037	1	ELBE 204
15		39			4	1	2	902001	NON	STAKED STEERING
15		40			4	1	2	901540	NON	STAKED STEERING
16	27				4	2	1	701627C	NON	KAWASAKI
16		39			4	1	2	902002	NON	STAKED STEERING
16		40			4	1	2	902020	NON	STAKED
17		41			4	1	2	802024	1	ELBE 105
18		47			4	1	2	K5-A587	1	WALTERSCHEID P.T.O
19		44			4	1	2	902025	NON	STAKED STEERING
19		44			4	1	2	K5-A701	1	CIRCLIP
19		48			4	1	2	U-901	1	373.20 GWB/ELBE 106
19		48			4	1	2	U-901S	NON	STAKED STEERING
19		48			4	1	2	U-901SL	1	STAKED - GREASABLE
19		48			4	1	2	U-901C	1	CIRCLIP
19.05		52			4	1	2	K5-A546	1	0500 SERIES
20	29.8				4	2	1	901001	1	JAPANESE P.T.O
20	32				4	2	1	902032IC	1	PTO - WITHOUT CIRCLIPS
20	38.1				4	2	1	RUJ-1780	NON	NISSAN
20	40				4	2	1	901004	NON	TOYOTA T.C.M
20		44.2			4	1	2	802001	1	MOTO GUZZI
20		44.7			4	1	2	902014	NON	KUBOTA
20		52.4			4	1	2	902004	NON	STAKED NISSAN
20		55			4	1	2	K5-A510	3	MAZDA
20		57			4	1	2	K5-A517	3	TOYOTA
20		57.5			4	1	2	K5-A549	1	M.D.P-JAPANESE P.T.O
20.07		59.8			4	1	2	902005	NON	STAKED SUZUKI
20.5		56.5			4	1	2	K5-A551	1	U.D STEERING
22	35.5				4	2	1	404002	3	STAKED-REPL:TOY,NISSAN
22	38.5				4	2	1	401005	2	STAKED-REPL: MAZDA
22	40				4	2	1	RUJ-1501	3	mitsubishi forklift
22		49			4	1	2	802002	1	MOTO GUZZI
22		50.2			4	1	2	802003	1	MOTO GUZZI
22		50.2			4	1	2	K5-A615	1	GWB 373.20
22		52			4	1	2	802047	NON	STAKED-REPL: VOLVO
22		54			4	1	2	K5-A588	1	BYPY P.T.O
22		55			4	1	2	K5-A589	1	WALTERSCHEID P.T.O
22		57.5			4	1	2	902021	NON	STAKED-REPL: TOYOTA
22		58			4	1	2	802004	1	ELBE 107
22		58			4	1	2	802004-1A	3	ELBE 107
22		58.9			4	1	2	U-166	1	473.30 SERIES GWB
22		60			4	1	2	902260	NON	STAKED MAZDA

# UNIVERSAL JOINT DIMENSIONAL DATA

C	W1	W2	D2	D3	CAP QTY	CAP TYPE	FIG	PART NO.	LUBE	NOTES / APPLICATION
22		62			4	1	2	K5-A553	1	
22		64			4	1	2	902006	NON	STAKED
22		65			4	1	2	K5-A554	NON	
22		67			4	1	2	902007	NON	STAKED
22		76			2	1		802067	1	WALTERSCHEID W2280
24		61			2	1	2			WIDE ANGLE
22.06		61.8			4	1	2	U-196	NON	STAKED-WASHER TYPE
22.2		73.6			4	1	2	5-264X	1	1FR SERIES
22.22		61.93			4	1	2	CPL-10N	3	
22.5	37.65				4	2	1	RUJ-1500	3	MAZDA
23	49				4	2	1	RUJ-1797	NON	SUBARU
23		58.2			4	1	2	U-160	1	INDUSTRIAL
23.8	38.1				4	2	1	5-170X	1	1000 SERIES
23.8	38.1				4	2	1	5-170X-1A	3	1000 SERIES
23.8	38.1				4	2	1	5-170XSP	NON	1000 SERIES - LUBE FOR LIFE
23.8	38.1				2	2	1	5-430X	1	1000 - L6N SERIES
24.6	36.8				2	2				
23.8		61.2			4	1	2	K5-A64	1	1140 SERIES P.T.O
23.8		61.2			4	1	2	K5-LGB80R	2	1140 SERIES SPICER
23.8		61.2			4	1	2	K5-LGB80R-1A	3	1140 SERIES SPICER
23.8		61.2			4	1	2	K5-LGB80RP	2	1140 SERIES PERFORMANCE
23.8		61.2			4	1	2	K5-GB150	NON	1140 SERIES LUBE FOR LIFE
23.8		61.2			2	1	2	407001	3	1140 SERIES SPICER TO
25	42.9				2	2	5			SUZUKI RUJ-1795
23.8		61.2			2	1	5	RUJ-1766	2	1140 SERIES SPICER TO 17R SERIES MECHANICS
25.4	43.64				2	2				
23.8		62.5			4	1	2	U-149	NON	AXLE - SEALED FOR LIFE
23.8		65.8			4	1	2	902008	1	STEERING - REPL: HINO
23.8		86			4	1	2	802063	1	BYPY 4 SERIES W/ANGLE
24	48				4	2	1	404003	2	STAKED-REPL: MAZDA
24		88			4	1	2	902488	NON	STAKED MERCEDES
24		62.5			4	1	2	902009	NON	STAKED
24		63.3			4	1	2	K5-A532	NON	ALFA ROMEO
24		72			4	1	2	902472	NON	STAKED MAZDA
24		74.5			4	1	2	902010	NON	STAKED
24		78			4	1	2	902011	NON	STAKED
24		91			2	1	2	802068	1	WIDE ANGLE
27		75			2	1				WALTERSCHEID W2380
24.6	36.8				4	2	1	114-1004	1	L6N SERIES P.T.O / 1AG
24.6	42.87				4	2	1	114-1501	1	CATERPILLAR PTO

# UNIVERSAL JOINT DIMENSIONAL DATA

C	W1	W2	D2	D3	CAP QTY	CAP TYPE	FIG	PART NO.	LUBE	NOTES / APPLICATION
24.7	41.7				4	2	1	401006	3	STAKED-REPL: NISSAN
24.7		66			4	1	2	701006	NON	STAKED NISSAN
25	42.9				4	2	1	RUJ-1795	3	SUZUKI
25	43.6				4	2	1	RUJ-1784	3	MAZDA
25	43.6				4	2	1	RUJ-1784SP	NON	MAZDA - NON LUBE
25	44				4	2	1	RUJ-1781	3	NISSAN/SUBARU
25	44				4	2	1	RUJ-1781S	NON	NISSAN/SUBARU - NON LUBE
25	56				4	2	1	RUJ-2040	2	NISSAN
25	58.7				4	2	1	901005	1	TOYOTA T.C.M
25		63.8			4	1	2	RUJ-1783	3	MITSUBISHI
25		63.9			4	1	2	902018	NON	SUZUKI
25		64			4	1	2	K5-A557	3	HONDA
25		72			4	1	2	70GUA6	1	AGRI
25		76.5			4	1	2	RUJ-2045	1	MITSUBISHI
25		76.5			4	1	2	RUJ-2045S	NON	MITSUBISHI
25		77			4	1	2	K5-A558	1	P.T.O
25		77.8			4	1	2	K5-A559	2	MITSUBISHI
25.4	43.64				4	2	1	RUJ-1786	3	17R SERIES MECH.-HOLDEN
25.4	43.64				4	2	1	RUJ-1786R	3	17R SERIES - W/-THRUST PADS
25.4	43.64				2	2	5	5-248X	1	17R SERIES MECHANICS TO
26.99		61.93			2	1				1210 SERIES
25.4	43.64		33.34	44.86	2	2	8	RUJ-1764	3	17R SERIES MECHANICS TO
					2	3T				17C SERIES MECH
25.4	43.64		33.34	52.78	2	2	8	RUJ-1758	3	EARLY HOLDEN
					2	3T				
25.4	46.8				4	2	1	401001	1	BENBOW P.T.O / 2AG
25.4	59.44				4	2	1	RUJ-2030	NON	2R SERIES
25.4	59.44				4	2	1	RUJ-2030R	NON	2R SERIES-W/- THRUST PADS
25.4	59.44				4	2	1	114-2101	2	2R SERIES GREASEABLE
25.4	59.44				2	2	5	RUJ-2032	2	2R SERIES TO
26.99		81.76			2	1				1310 SERIES
25.4	59.44				2	2	1	RUJ-2009	2	USE RUJ-2034
28.58	59.44				2	2				
25.4	59.44				2	2	5	RUJ-2034	2	2R SERIES MECH TO
28.58	59.44	81.76			2	2				25R SERIES MECH. & FORD
25.4	59.44		33.34	59.44	2	2	8	114-2111	2	2R SERIES MECHANICS TO
					2	3T				2C SERIES MECHANICS
25.4	59.44		33.34	59.44	2	2	8	114-2111-1A	3	2R SERIES MECHANICS TO
					2	3T				2C SERIES MECHANICS
25.4	59.44		33.34	59.44	2	2	8	114-2114	2	2R SERIES MECHANICS TO
					2	3D				2C SERIES MECHANICS



# UNIVERSAL JOINT DIMENSIONAL DATA

C	W1	W2	D2	D3	CAP QTY	CAP TYPE	FIG	PART NO.	LUBE	NOTES / APPLICATION
25.4	59.44		33.34	59.44	2 2	2 3D	8	114-2114-1A	3	2R SERIES MECHANICS TO 2C SERIES MECHANICS
25.4	59.44		36.52	69.85	2 2	2 3T	8	114-2198	NON	2R SERIES MECHANICS TO 3C SERIES MECHANICS
25.4		86.0			4	1	2	902024	1	KATO CRANE
26	46.6				4	2	1	RUJ-1776	NON	TOYOTA
26	48.2				4	2	1	RUJ-1794	NON	NISSAN
26	55.96				4	2	1	RUJ-2016	2	TOYOTA
26	55.96				4	2	1	RUJ-2016SP	NON	TOYOTA - NON LUBE
26		69.8			4	1	2	U-741	1	287.00 SERIES GWB
26.5	50.4				4	2	1	RUJ-2049	NON	MAZDA E2200
26.99	46.04				4	2	1	RUJ-1788	1	1200 SERIES P.T.O
26.99	55.57				4	2	1	5-174X	NON	1310 SERIES - AXLE JOINT
26.99	55.57				4	2	1	5-260X	1	1310 SERIES - AXLE W/- SEALS
26.99		61.93			4	2	1	5-443X	3	1210 SERIES
26.99	60.32	81.76			4	2	1	RUJ-2027	2	1310 SER. & FORD CLEVELAND
26.99	60.32	81.76			4	2	1	RUJ-2027S	NON	1310/CLEVELAND - NON LUBE
26.99		74.61			4	1	2	K5-L4R	2	1300 SERIES
26.99		74.61			4	1	2	K5-L4RP	2	1300 SERIES PERFORMANCE
26.99		74.64			4	1	2	K5-GB31R	NON	CITROEN WITH HOLE THRU CROSS
26.99		74.61			4	1	2	K5-GB36R	1	1300 SERIES P.T.O / 4AG
26.99		81.76			4	1	2	K5-13XR	2	1310 SERIES
26.99		81.76			4	1	2	K5-13XR-4A	3	1310 SERIES 4PT LUBED
26.99		81.76			4	1	2	K5-13XRSP	NON	1310 SERIES NON LUBE
26.99		81.76			4	1	2	K5-13XRR	NON	1310 SERIES - THRUST WASHERS
26.99		81.76			4	1	2	5-625XSP	NON	1310 SERIES PERFORMANCE
26.99		81.76			2	1	5	K5-A530	2	1310 SERIES TO
27.38	54				2	2				21R SERIES MECHANICS
26.99		81.76			2	1		RUJ-2028-13XR	2	USE K5-A522/13XR
28	55.96				2	2	5			
26.99		81.76			2	1		K5-A522/13XR	2	1310 SERIES SPICER TO
28	55.96	80			2	1	2			DAIHATSU/NISSAN
26.99		81.76			2	1	5	114-2531	1	1310 SERIES TO
28.58	54				2	2				2.5R SERIES - AMERICAN
26.99		81.76			2	2	5	RUJ-2039	2	1310 SERIES TO
28.58	59.44	81.76			2	1				9" FORD DIFF. (1310 - 25R)
26.99		81.76			2	2	5	RUJ-2039SP	2	1310 SERIES TO 9" FORD
28.58	59.44	81.76			2	1				DIFF. (1310 - 25R) HEAVY DUTY
26.99		81.76			2	1	2	5-632XSP	NON	1310 SERIES TO 9" FORD DIFF
28.58		81.76			2	1	2			PERFORMANCE
26.99		81.76			2	1	5	5-150X	2	1310 SERIES TO
28.58	65.1	92.08			2	2				3R SERIES & 9" FORD DIFF

# UNIVERSAL JOINT DIMENSIONAL DATA

C	W1	W2	D2	D3	CAP QTY	CAP TYPE	FIG	PART NO.	LUBE	NOTES / APPLICATION
26.99		81.76			2	1	5	<b>5-150XSP</b>	NON	1310 TO 3R/9" DIFF
28.58	65.1	92.08			2	2				NON LUBE
26.99		81.76			2	1	5	<b>401009</b>	2	1310 SERIES TO
28.58	66.67				2	2				7290 SERIES DETROIT
26.99		81.76			2	1	5	<b>RUJ-2100-13XR</b>	2	1310 TO TOYOTA/ISUZU
29	52				2	2				EXTRA CIRCLIPS INCLUDED
26.99		81.76			2	1	5	<b>RUJ-2033/13XR</b>	2	USE RUJ-2100-13XR
29	53.1				2	2				
26.99		81.76			2	1	2	<b>5-134X</b>	2	1310 SERIES TO
26.99		92.08			2	1				1330 SERIES
26.99		81.76			2	1	2	<b>5-134XSP</b>	NON	1310 - 1330 SERIES
26.99		92.08			2	1				LUBE FOR LIFE
26.99		81.76			2	1	2	<b>5-460X</b>	2	1310 SERIES SPICER TO
30.16		92.08			2	1				1350 SERIES SPICER
26.99		81.76			2	1	6	<b>5-291X</b>	2&3	1310 SERIES TO
			33.34	59.53	2	3T				2C SERIES MECHANICS
26.99		81.76			2	1	6	<b>5-356X</b>	2	1310 SERIES TO
			36.52	69.85	2	3T				3C SERIES MECHANICS
26.99		92.08			4	1	2	<b>RUJ-3002</b>	2	1330 SERIES
26.99		92.08			4	1	2	<b>RUJ-3002SP</b>	NON	1330 SERIES LUBE FOR LIFE
26.99		92.08			4	1	2	<b>5-618XSP</b>	NON	1330 SERIES PERFORMANCE
26.99		92.08			2	2	5	<b>114-596</b>	2	1330 SERIES TO
28.58	65.1				2	1				3R SERIES MECHANICS
26.99		92.08			2	1	5	<b>5-355X</b>	2	1330 SERIES TO
28.58	66.68				2	2				7290 DETROIT
26.99		92.08			2	2	5	<b>RUJ-3000</b>	2	1330 SERIES TO
28.58		92.08			2	1				9" FORD DIFF
26.99		92.08			2	1	2	<b>RUJ-3000SP</b>	NON	1330 SERIES TO 9" FORD
28.58		92.08			2	1	2			HEAVY DUTY
26.99		92.08			2	2	5	<b>RUJ-3000-1A</b>	3	1330 SERIES TO
28.58		92.08			2	2				9" FORD DIFF
26.99		92.08			2	1	2	<b>5-633XSP</b>	NON	1330 SERIES PERFORMANCE TO
28.58		92.08			2	1				9" FORD DIFF - PERFORMANCE
26.99		92.08			2	1	2	<b>K5-A537</b>	2	1330 SERIES TO
30.16		92.08			2	1				1350 SERIES
26.99		92.08			2	1	6	<b>5-314X</b>	2	1330 SERIES TO
			36.52	69.85	2	3T				3C SERIES MECHANICS
27	49.02				4	2	1	<b>901012</b>	NON	NISSAN NAVARA
27		65.3			4	1	2	<b>K5-A561</b>	3	mitsubishi
27		70			4	1	2	<b>K5-A590</b>	1	WALTERSCHEID BYPY P.T.O
27		70			4	1	2	<b>802044</b>	2	

# UNIVERSAL JOINT DIMENSIONAL DATA

C	W1	W2	D2	D3	CAP QTY	CAP TYPE	FIG	PART NO.	LUBE	NOTES / APPLICATION
27		70			4	1	2	802044-011	4	JOHN DEERE - STEER AXLE
27		71			4	1	2	802048	NON	STAKED - REPL: FORD
27		71			4	1	2	802058	NON	
27		71			4	1	2	802059	1	
27		74			4	1	2	902774	NON	MERC SPRINTER
27		74.5			4	1	2	K5-A727	1	687.15 SERIES GWB
27		80			4	1	2	802049	2	STAKED - REPL: VW
27		80			4	1	2	902026	1	HYUNDAI
27		80			4	1	2	902780	NON	STAKED - REPL: FORD TRANSIT
27		88			4	1	2	902788	NON	STAKED
27		94			2	1		802069	1	WALTERSCHEID W2480
32		76			2	1	2			WIDE ANGLE
27.38	54				4	2	1	RUJ-2038	2	21R SERIES
27.38	54				4	2	1	RUJ-2038SP	NON	21R SERIES - NON LUBE
27.38	54				4	2	1	RUJ-2038R	2	21R SERIES - W/-THRUST PADS
27.38	54				2	2		RUJ-2028-7260	2	21R SERIES MECHANICS TO
28	55.96				2	2	1			NISSAN
27.38	54				2	2	5	RUJ-2029	2	21R SERIES MECHANICS TO
28.58	59.44	81.76			2	2				9" FORD DIFF. (21R-25R)
27.38	54				2	2	5	405002	2	21R SERIES TO
28.58		92.08			2	1				9" FORD DIFF
27.9	50.7				4	2	1	401007	2	STAKED - REPL: NISSAN
28	48				4	2	1	U-172	3	
28	53				4	2	1	U-728	2	BENZ
28	54				4	2	1	U-728-1	2	BENZ
28	55.96				4	2	1	RUJ-2028	2	NISSAN
28	55.96				4	2	1	RUJ-2028SP	NON	NISSAN - NON LUBE
28	59.1				4	2	1	RUJ-2023	2	MAZDA
28	59.1				4	2	1	RUJ-2023SP	NON	MAZDA - NON LUBE
28		71.5			4	1	2	802005	1	ELBE 109 - OLD STYLE
28		80			4	1	2	K5-A522	1	DAIHATSU/NISSAN USE RUJ-2028
28.5		70.9			4	1	2	802039	1	ELBE 109 - NEW STYLE
28.5		78			4	1	2	K5-A562	1	mitsubishi
28.55	65.4				4	2	1	RUJ-2051	NON	185.10 SERIES GWB
28.58	54				4	2	1	114-2501	3	25R JAP DOUBLE CARDAN
28.58	59.44				4	2	1	RUJ-2500	2	25R SERIES MECHANICS
28.58	59.44				4	2	1	RUJ-2500R	2	25R SERIES MECH W/- THRUST PADS (25R-FORD 9")
28.58	65.1				4	2	1	114-3105	2	3R SERIES MECHANICS / 5AG
28.58	65.1				4	2	1	114-3105-1A	3	3R SERIES MECHANICS / 5AG
28.58	65.1				4	2	1	114-3105SP	NON	3R SERIES MECHANICS / 5AG

# UNIVERSAL JOINT DIMENSIONAL DATA

C	W1	W2	D2	D3	CAP QTY	CAP TYPE	FIG	PART NO.	LUBE	NOTES / APPLICATION
28.58	65.1				4	2	1	5-811X	NON	3R SERIES SPICER PERFORMANCE
28.58	65.1				2	2	1	405001	NON	3R SERIES MECHANICS TO
28.58	66.67				2	2				7290 SERIES DETROIT
28.58	65.1				2	2	5	903049	2	3R SERIES MECHANICS TO
28.58		92.08			2	1				9" FORD DIFF.
28.58	65.1		36.52	69.85	2	2	8	114-3102	2	3R MECHANICS SERIES TO
					2	3T				3C SERIES MECHANICS
28.58	65.1		36.52	69.85	2	2	8	114-3120	2	3R MECHANICS SERIES TO
					2	4				3C SERIES MECHANICS
28.58	66.67				4	2	1	114-232	2	7290 SERIES DETROIT
28.58	66.67				4	2	1	114-232SP	2	7290 SERIES - LUBE FOR LIFE
28.58	82.55				4	2	1	RUJ-4000	2	4R MECHANICS SERIES
28.58	82.55				2	2	8	RUJ-4002	2	COUNTERSUNK
			36.52	87.32	2	3D				
28.58	82.55				2	2	8	RUJ-4005	2	4R MECHANICS SERIES TO
			36.52	87.32	2	3T				4C SERIES MECHANICS
28.58	82.55				2	2	8	114-4109	1	4R
			36.52	87.32	2	4				4C HWD
28.58		66.67			4	1	2	CPL-14N	1	NEAPCO 2000 SERIES P.T.O
28.58		66.67			4	1	2	CPL-14N-1A	3	NEAPCO 2000 SERIES P.T.O
28.58		77.9			4	1	2	K5-A519	1	TOYOTA
28.58		92.08			2	1	2	K5-A541	2	9" FORD DIFF. TO
30.16		92.08			2	1				1350 SERIES
28.6	65.1				4	2	1	RUJ-2505	2	USE 114-3105
28.6		74.6			4	1	2	802035	1	
29	52				4	2	1	RUJ-2100	1	TOYOTA
29	52				4	2	1	RUJ-2100-1A	3	TOYOTA
29	52				4	2	1	RUJ-2100R	1	TOYOTA WITH THRUST PADS
29	53.1				4	2	1	RUJ-2033	2	ISUZU
29	72				4	2	1	901013	2	RODEO
29		80			4	1	2	802032	1	AGRICULTURAL
29.5	56				4	2	1	U-729	NON	BENZ
30	58.25				4	2	1	901002	1	MITSUBISHI
30	74				4	2	1	901014	1	PAJERO
30		78.2			4	1	2	K5-A585	1	MITSUBISHI
30		79			4	1	2	802042	3	STEERING AXLE - OFFSET
30		81.7			4	1	2	U-742	1	287.10 SERIES GWB
30		83			4	1	2	802006	3	ELBE 110
30		83			4	1	2	802006-011	4	ELBE 110 CENTRE YOKE LUBE THROUGH 1 CAPS
30		96			4	1	2	369.10	NON	369.10 SERIES

# UNIVERSAL JOINT DIMENSIONAL DATA

C	W1	W2	D2	D3	CAP QTY	CAP TYPE	FIG	PART NO.	LUBE	NOTES / APPLICATION
30.16	55.57				4	2	1	5-297X	NON	1350 SERIES - AXLE JOINT
30.16	55.57				4	2	1	5-297X-1A	3	1350 SERIES - AXLE JOINT
30.16		92.08			2	1	5	701153	2	3R / 1350
28.58	65.1				2	2				
30.16	65.1	92.08			2	1	5	RUJ-3001	2	1350 SERIES
30.16	65.1	92.08			2	2				HAS VARIOUS COMBINATIONS
30.16		92.08			4	1	2	5-178X	2	1350 SERIES
30.16		92.08			4	1	2	5-178XR	2	1350 SERIES - THRUST WASHERS
30.16		92.08			4	1	2	5-178XSP	NON	1350 SERIES HEAVY DUTY
30.16		92.08			4	1	2	5-178-1A	3	1350 SERIES
30.16		92.08			4	1	2	5-627XSP	NON	1350 PERFORMANCE
30.16		92.08			4	1	2	K5-A18R	1	1350 SERIES AGRI
30.16		106.35			4	1	2	5-641XSP	NON	1410 PERFORMANCE
30.16		106.35			4	1	2	K5-GB10R	2	1410 SERIES SPICER
30.16		106.35			4	1	2	K5-GB10RR	NON	1410 SERIES - THRUST WASHERS
30.16		106.35			4	1	2	K5-A536	1	1410 SERIES P.T.O
30.16	79.37	106.35			2	1	1	RUJ-4008	2	1410 SERIES - COMBINATION
30.16		106.35			2	1	5	5-357X	2	1410 SERIES TO
31.35	76.2				2	2				5380 SERIES DETROIT
30.16		106.35			2	1	6	5-345X	2	1410 SERIES TO
			36.52	87.32	2	4				4C SERIES MECHANICS
30.16		106.35			2	1	6	5-346X	2	1410 SERIES TO
			36.52	87.32	2	3T				4C SERIES MECHANICS
30.2		80.0			4	1	2	K5-A591	1	BYPY P.T.O
30.2		81.8			4	1	2	802038	1	GWB 687.20 SERIES
30.2		81.8			4	1	2	802038S	NON	GWB 687.20 SERIES NON LUBE
30.2		99.4			4	1	2	802064	1	BYPY 6 SERIES WIDE ANGLE
31		88.35			4	1	2	703188	3	MERC STAKED
31.35	50.8				4	2	1	114-162	1	CHRYSLER
31.35	76.2				4	2	1	RUJ-4007	2	5380 SERIES DETROIT
31.75		81.36			4	1	2	CP35N-1A	3	NEAPCO 2200
31.75		88.9			4	1	2	402001	3	NEAPCO 2200/N44
31.75		92.08			4	1	2	903292	NON	NEAPCO
31.75		102			4	1	2	K5-A563	1	MITSUBISHI
32	59.95				4	2	1	RUJ-3003	1	MAZDA
32	64				4	2	1	RUJ-2041	2	TOYOTA
32	64				4	2	1	RUJ-2041R	2	TOYOTA WITH THRUST PADS
32	68.2				4	2	1	901003	1	NISSAN PATROL 1988-
32	87				4	2	1	901015	2	FURUKAWA
32	87				2	2	2	912004	2	KOMATSU/FURUKAWA
			42.85	88.9	2	4				(32X87{1} - 5C)

# UNIVERSAL JOINT DIMENSIONAL DATA

C	W1	W2	D2	D3	CAP QTY	CAP TYPE	FIG	PART NO.	LUBE	NOTES / APPLICATION
32		76			4	1	2	<b>K5-A592</b>	1	WALTERSCHEID
32		86			4	1	2	<b>802027</b>	2	FORD TRACTOR
32		95.6			4	1	2	<b>802031</b>	2	SCHINDLER TRACTOR
32		106			2	1		<b>802070</b>		WALTERSCHEID W2580
36		89			2	1	2		1	WIDE ANGLE
32		107			4	1	6	<b>K5-A564</b>	2	NISSAN
33		93			4	1	2	<b>902013</b>	1	ISUZU
33.35	84.15				4	2	1	<b>114-5109</b>	2	5R SERIES MECHANICS
33.35	84.15		42.85	88.9	2	2	8	<b>114-5110</b>	2	5R SERIES MECHANICS TO 5C SERIES MECHANICS
33.35	84.15		42.85	88.9	2	2	8	<b>114-5132</b>	2	5R SERIES MECHANICS TO 5C SERIES MECHANICS
33.35	84.15		42.85	88.9	2	2	8	<b>114-5154</b>	2	5R SERIES MECHANICS TO 5C SERIES MECHANICS
33.35	109.5				4	2	1	<b>114-6135</b>	2	6R SERIES MECHANICS
33.35	109.5		42.85	114.3	2	2	8	<b>114-6107</b>	2	6R SERIES MECHANICS TO 6C SERIES MECHANICS
33.35	109.5		42.85	114.3	2	2	8	<b>114-6150</b>	2	6R SERIES MECHANICS TO 6C SERIES MECHANICS
33.35	70.64				4	2	1	<b>CP44R</b>	2	ROCKWELL P.T.O./44N
34	56				4	2	1	<b>RUJ-3004</b>	1	WALTERSCHEID
34		89			4	1	2	<b>802045</b>	1	MERCEDES BENZ
34		96			4	1	10	<b>802020</b>	4	AXLE - OFFSET TRUNNIONS
34		97			4	1	2	<b>802007</b>	1	ELBE 112 - OLD STYLE
34		97			4	1	2	<b>802007-1A</b>	3	ELBE 112 - OLD STYLE
34		97			4	1	2	<b>802007-011</b>	4	ELBE 112 - OLD STYLE
34		106.5			4	1	2	<b>802028</b>	1	AGRICULTURAL
34		107			4	1	2	<b>U-188</b>	2	
34.93		92			4	1	2	<b>K5-A729</b>	1	GWB 687.25 SERIES
34.93		92			4	1	2	<b>K5-A729S</b>	NON	GWB 687.25 SERIES - NON LUBE
34.93	74.17				4	2	1	<b>K5-A808</b>	NON	AXLE JOINT
34.93	76.2				4	2	1	<b>5-88X</b>	2	1480 SERIES - AXLE JOINT
34.93		106.38			4	1	2	<b>K5-A538</b>	1	1480 SERIES P.T.O.
34.93		106.38			4	1	2	<b>K5-A730</b>	1	GWB 687.30 SERIES
34.93		106.38			4	1	2	<b>K5-A730S</b>	NON	GWB 687.30 SERIES - NON LUBE
34.93		106.38			4	1	2	<b>5-188X</b>	2	1480 SERIES
34.93		106.38			4	1	2	<b>5-188XR</b>	2	1480 SERIES - THRUST WASHERS
34.93		106.38			2	1	2	<b>902023</b>	1	1480 - ISUZU
35.00		104.0			2	1				
34.93		106.38	42.85	88.9	2	1	6	<b>5-347X</b>	2	1480 SERIES TO 5C SERIES MECHANICS
			42.85	88.9	2	4				

# UNIVERSAL JOINT DIMENSIONAL DATA

C	W1	W2	D2	D3	CAP QTY	CAP TYPE	FIG	PART NO.	LUBE	NOTES / APPLICATION
34.93		106.38	42.85	88.9	2 2	1 3T	6	<b>5-348X</b>	2	1480 SERIES TO 5C SERIES MECHANICS
34.93		126.2			4	1	2	<b>5-155X</b>	2	1550 SERIES SPICER
34.93		126.2			4	1	2	<b>5-155XR</b>	2	1550 SERIES - THRUST WASHERS
34.93		126.2			4	1	2	<b>5-155XSP</b>	2	1550 SERIES HEAVY DUTY
34.93		126.2	42.85	114.3	2 2	1 3T	6	<b>5-220X</b>	2	1550 SERIES TO 6C SERIES MECHANICS
34.93		126.2	42.85	114.3	2 2	1 4	6	<b>5-221X</b>	2	1550 SERIES TO 6C SERIES MECHANICS
34.93		126.2	49.21	107.5	2 2	1 4	6	<b>5-328X</b>	2	1550 SERIES TO CP58WB SERIES
34.93		126.2	49.21	107.5	2 2	1 3T	6	<b>5-693X</b>	2	1550 SERIES TO CP58WB
35		87			4	1	2	<b>802034</b>	4	ELBE - OFFSET STEERING
35		94			4	1	2	<b>802061</b>	1	BYPY NEW 7 SERIES
35		96			4	1	10	<b>802025</b>	4	OFFSET STEERING - AXLE
35		96.8			4	1	2	<b>U-743</b>	1	587.10 SERIES G.W.B.
35		97			4	1	2	<b>802040</b>	1	ELBE 112 - NEW STYLE
35		97			4	1	2	<b>802040-1A</b>	3	ELBE 112 - NEW STYLE
35		97			4	1	2	<b>802040-1AR</b>	3	ELBE 112 - NEW STYLE PREM.
35		97			4	1	2	<b>802040-4AR</b>	3	ELBE 112 - NEW STYLE PREM.
35		97			4	1	2	<b>802040R</b>	1	ELBE 112- PREM CENTRE LUBE
35		99			4	1	2	<b>K5-A566</b>	1	HINO
35		104			4	1	2	<b>K5-A567</b>	1	ISUZU
35		106			4	1	2	<b>802065</b>	1	BYPY 8 SERIES W/ANGLE
35.5		119			4	1	2	<b>K5-A568</b>	2	NISSAN
36		89			4	1	2	<b>K5-A593</b>	1	WALTERSCHEID
36		97			4	7	2	<b>K5-A523</b>	1	ISUZU
36		104			4	1	2	<b>K5-A569</b>	1	MITSUBISHI
36		110.35			4	1	2	<b>K5-A571</b>	2	HINO
36		115.6			4	1	2	<b>902015</b>	1	HINO
37	71				4	2	1	<b>RUJ-4009</b>	1	MAZDA
38	62				4	2	1	<b>U-730</b>	1	MERCEDES BENZ
38		89.2			4	1	2	<b>802008</b>	NON	MERCEDES BENZ
38		104			4	1	2	<b>K5-A572</b>	1	MITSUBISHI
38		104			4	1	10	<b>802030</b>	3	469.30 SERIES - AXLE OFFSET
38		105.8			4	1	2	<b>U-744</b>	1	
38		106			4	1	2	<b>802022</b>	1	ELBE 113
38		106			4	1	2	<b>802022-011</b>	4	ELBE 113
38		107			4	1	10	<b>802033</b>	4	ELBE - OFFSET STEERING
38		110			4	1	2	<b>U-752</b>	2	

# UNIVERSAL JOINT DIMENSIONAL DATA

C	W1	W2	D2	D3	CAP QTY	CAP TYPE	FIG	PART NO.	LUBE	NOTES / APPLICATION
38		112			4	1	2	U-764	2	
38		148			4	1	2	802009	1	SCANIA - STRAIGHT BRACKETS
38		148			4	1	2	802010	1	SCANIA - 4.5 DEG BRACKETS
38		119			4	1	10	802026	1	GWB 369.30 OFFSET
38		148			2	1	3	802023	2	SCANIA 802010 TO
47.63		134.94			2	5				1610 SERIES
38.89		109.6			4	1	2	CP55N	2	55N SERIES P.T.O.
39		116.4			4	1	2	K5-A632	2	FIAT
39		127			4	1	2	U-385	1	
39.7		115.9			4	1	2	K5-GB22R	2	1510 SERIES
39.7		115.9			4	7	3	K5-GB15R	2	1500 SERIES WITH BRACKETS
39.7		115.9			4	1	2	K5-A725	2	1630 SERIES
40		104.5			4	1	10	569-32	NON	OFFSET STEERING
40		111			4	1	2	902019	1	mitsubishi
40		115			4	1	2	K5-A639	1	ISUZU/HINO - EXTRA CIRCLIPS INCLUDED
40		115.5			4	1	2	902016	1	USE K5-A639
40		118			4	7	3	K5-A573	2	TOYOTA
40	169.3		50	180	2	2	8	912001	3	KOMATSU - WITH HOLE IN CROSS
40	169.3		50	180	2	4		912002	3	KOMATSU - COUPLING ASSY (CONTAINS 2 OF 912001)
41	111.2		49.21	117.6	2	2	8	912003	2	FURUKAWA & KOMATSU
41		108			4	1	2	802062	1	BYPY 9 SERIES
41		118			4	1	2	K5-A594	1	BYPY 10 SERIES
41		126			4	1	2	SPL-90X	1	SPL90
41.08		108			4	1	2	901900	1	BYPY 9 SERIES
41.28		128.63			4	1	2	CP750N	1	ROCKWELL
41.28		142			4	1	2	5-165X	2	1650 SERIES
41.28		142	49.21	117.6	2	1	6	5-330X	2	1650 SERIES TO 7C SERIES MECHANICS
41.28		142	49.21	117.6	2	4				
41.28		142	49.21	117.6	2	1	6	5-331X	2	1650 SERIES TO 7C SERIES MECHANICS
41.28	110.8				4	2	1	114-7294	2	7R SERIES MECHANICS
41.28	110.8		49.21	117.6	2	2	8	114-7000RHW	2	7R SERIES MECHANICS TO 7C HWD SERIES J.C.B.
41.28			49.21	117.6	2	4				
41.28	167.9		49.21	174.63	2	2	8	114-8014	2	8R SERIES MECHANICS TO 8C HWD SERIES MECHANICS
42	72				4	2	1	U-747	1	MERCEDES BENZ
42		104			4	1	2	K5-A595	1	WALTERSCHEID



# UNIVERSAL JOINT DIMENSIONAL DATA

C	W1	W2	D2	D3	CAP QTY	CAP TYPE	FIG	PART NO.	LUBE	NOTES / APPLICATION
42		104.5			4	1	2	<b>K5-A622</b>	1	GWB 587.15 SERIES
42		104.5			4	1	2	<b>K5-A622S</b>	NON	GWB 587.15 SERIES - NON LUBE
42		106			4	1	2	<b>802057</b>	1	MERCEDES
42		106			4	1	2	<b>802057S</b>	1	MERCEDES - NON LUBE
42		110			4	1	10	<b>802056</b>	4	OFFSET STEERING
42		115			4	1	2	<b>902017</b>	1	ISUZU
42		117.5			4	1	2	<b>802051</b>	1	ELBE 148 SERIES
42		119.4			4	1	2	<b>802054</b>	1	GWB 687.35 SERIES
42		119.4			4	1	2	<b>802054S</b>	NON	GWB 687.35 SERIES - NON LUBE
42		123			4	1	2	<b>802011</b>	1	ELBE 115
42		123			4	1	2	<b>802011-1A</b>	3	ELBE 115
42		125			4	7	9	<b>K5-A574</b>	1	ISUZU
43		128			4	7	3	<b>K5-A575</b>	1	NISSAN
43		136			4	7	9	<b>K5-A547</b>	1	NISSAN
44	84				4	2	1	<b>U-737</b>	1	MERCEDES BENZ
44		124.8			4	1	2	<b>U-746</b>	1	287.30 SERIES G.W.B.
44		126.2			4	1	3	<b>U-380</b>	1	VOLVO - 1600 SERIES 3 BOLTS
44		129			4	1	2	<b>902022</b>	1	mitsubishi
44		129			4	7	9	<b>K5-A576</b>	1	MITSUBISHI
44		149			4	1	2	<b>U-384</b>	2	SCANIA - T60 SERIES
45		120.4			4	1	2	<b>U-753</b>	1	MERCEDES BENZ
45		124.8			4	1	2	<b>802021</b>	1	VOLVO 3 BOLT
45		125			4	1	10	<b>802046</b>	4	OFFSET AXLE JOINT
45		131			4	1	2	<b>802012</b>	1	ELBE 116
45		152			4	1	2	<b>K5-A605</b>	1	ELBE 118 SERIES
46		136			4	7	3	<b>K5-A577</b>	1	ISUZU
46		142			4	7	9	<b>K5-A578</b>	1	MITSUBISHI
47		124			4	7	3	<b>K5-A579</b>	1	HINO
47		130			4	7	3	<b>903004</b>	1	HINO
47		131			4	1	2	<b>U-810</b>	1	
47		138			4	7	3	<b>K5-A580</b>	1	HINO
47		140			4	8	2	<b>K5-A827</b>	1	BUS
47		142			4	1	2	<b>802050</b>	1	369.40 GWB SERIES
47		144.1			4	7	9	<b>K5-A581</b>	1	HINO
47.63		134.94			4	5	3	<b>5-279X</b>	2	1610 SERIES SPICER
47.63		134.94			2	5	3	<b>5-438X</b>	2	USE 5-674X
47.63		134.94			2	1				
47.63		134.94			2	5	3	<b>5-674X</b>	2	1610 SERIES TO
47.63		134.94			2	1				1610 - HALF ROUND W/- STRAPS
47.63		135.17			4	1	2	<b>802043</b>	1	GWB 687.40 SERIES
47.63		135.17			4	1	2	<b>802043S</b>	NON	GWB 687.40 SERIES NON LUBE

# UNIVERSAL JOINT DIMENSIONAL DATA

C	W1	W2	D2	D3	CAP QTY	CAP TYPE	FIG	PART NO.	LUBE	NOTES / APPLICATION
47.63		135.72	49.15	118.22				<b>409003</b>	3	
48		116.5			4	1	2	<b>U-767</b>	1	GWB 587.20 SERIES
48		116.5			4	1	2	<b>U-767S</b>	NON	GWB 587.20 SERIES - NON LUBE
48		126			4	1	2	<b>U-765</b>	1	MERCEDES BENZ
48		126			4	1	2	<b>U-765S</b>	NON	MERCEDES BENZ - NON LUBE
48		131.2			4	1	2	<b>802013</b>	1	KEMPF
48		134			4	1	2	<b>U-904</b>	1	
48		145			4	7	9	<b>K5-A582</b>	1	ISUZU
48		161			4	1	2	<b>802016</b>	1	P400 SCANIA - 4.5 DEG BRACKETS
48		161			4	1	2	<b>802016S</b>	NON	P400 SCANIA - 4.5 DEG NON LUBE
49		135			4	5	3	<b>803001</b>	2	FIAT
49		135			4	1	2	<b>802060</b>	1	BY PY 12 SERIES
49		155			4	7	3	<b>U-501</b>	2	FIAT
49.21		130.18			4	7	3	<b>CP6N</b>	2	ROCKWELL
49.21		150.72			4	1	2	<b>CP850N</b>	1	ROCKWELL
49.21		154.78			4	5	3	<b>5-280X</b>	2	1710 SERIES
49.21		154.78			2	5	3	<b>5-515X-CAT</b>	2	1710 SERIES TO CATERPILLAR
49.21		155.08			2	8				
49.21		154.78			2	5	3	<b>5-515X</b>	2	USE 5-675X
49.21		157.08			2	1				
49.21		154.78			2	5	3	<b>5-675X</b>	2	1710 SERIES TO
49.21		157.08			2	1				1710 - HALF ROUND W/- STRAPS
49.21		154.78			2	5	3	<b>403001</b>	2	1710 SERIES TO
50.8		150.83			2	7				CP7N SERIES
49.21		154.78			2	5	7	<b>409001</b>	2	1710 SERIES TO
			71.44	123.83	2	4				8.5C SERIES MECHANICS
49.21		154.95			4	1	2	<b>687-50</b>	2	687.50
49.21		177.8			4	5	3	<b>5-407X</b>	2	1760 SERIES
49.21		177.8			2	5	3	<b>5-677X</b>	2	1760 SERIES TO
49.21		180.1			2	1				1760 SERIES - HALF ROUND
49.21		191.69			4	5	3	<b>5-281X</b>	2	1810 SERIES SPICER
49.21		191.69			2	5	3	<b>5-510X</b>	2	USE 5-676X
49.21		194			2	1				
49.21		191.69			2	5	3	<b>5-676X</b>	2	1810 SERIES TO
49.21		194			2	1				1810 - HALF ROUND W/- STRAPS
49.21		191.69			2	5	7	<b>5-324X</b>	2	1810 SERIES TO
			71.44	168.3	2	4				9C SERIES MECHANICS
50		118			4	1	2	<b>802066</b>	1	WALTERSCHEID 2700
50		131			4	1	2	<b>U-811</b>	1	
50		152.6			4	1	3	<b>U-381</b>	1	VOLVO - 1700 SERIES 3 BOLTS
50		153			4	1	2	<b>U-739</b>	1	

# UNIVERSAL JOINT DIMENSIONAL DATA

C	W1	W2	D2	D3	CAP QTY	CAP TYPE	FIG	PART NO.	LUBE	NOTES / APPLICATION
50		155			4	7	9	903006	1	ISUZU
50		159			4	7	3	K5-A583	2	HINO
50		164			4	1	2	U-386	2	SCANIA T70 SERIES
50		165			4	7	9	903003	2	HINO
50		180			4	4	4	RUJ-8002	NON	MECHANICS
52		133			4	1	2	U-756	1	GWB 587.30 SERIES
52		133			4	1	2	U-756S	NON	GWB 587.30 SERIES - NON LUBE
52		147.2			4	1	2	802029	1	687.45 SERIES G.W.B
52		147.2			4	1	2	802029S	NON	GWB 687.45 SERIES - NON LUBE
52		154			4	7	9	K5-A584	1	mitsubishi
52		160			4	1	2	903001	1	MITSUBISHI
52		170			4	7	9	903005	1	MITSUBISHI
52.3		174.7			2	2	8	CP20-RPLS	NON	RPL20 SERIES
			71.3	134.6	2	4				
52.3		208.3			2	2	8	CP25-RPLS	NON	RPL25 SERIES
			71.3	134.6	2	4				
53		135			4	1	2	U-761	1	ELBE 117 / MERCEDES BENZ
53		135			4	1	2	U-761S	NON	ELBE 117 / MERCEDES BENZ
53.5		155			4	7	9	903009	1	ISUZU
55		164			4	7	9	K5-A548	1	U.D. NISSAN
55		164			4	1	2	U-812	2	
55		164			4	1	2	SPL-170X	1	SPL170
55		169			4	7	9	903002	1	ISUZU
55.55		205.59			4	1	2	5-185X	2	1850 SERIES
55.55		205.59			2	1	6	5-186X	2	1850 SERIES TO
			71.44	168.3	2	4				9C SERIES MECHANICS
55.55		205.59			2	1	6	5-187X	2	1850 SERIES TO
			71.44	168.3	2	3T				9C SERIES MECHANICS
55.55		205.59			4	5	3	5-308X	2	1880 SERIES
55.55		205.59			2	5	7	5-326X	2	1880 SERIES TO
			71.44	168.3	2	4				9C SERIES MECHANICS
55.55		205.59			2	5	7	5-327X	2	1880 SERIES TO
			71.44	168.3	2	3T				9C SERIES MECHANICS
57		144			4	1	2	U-813	1	GWB 587.36 SERIES
57		144			4	1	2	U-813S	NON	GWB 587.36 SERIES - NON LUBE
57		152			4	1	2	U-763	1	GWB 587.42 SERIES
57		152			4	1	2	U-763S	NON	GWB 587.42 SERIES - NON LUBE
57		152.6			4	1	3	803002	1	VOLVO-1800 SERIES 3 BOLTS
57		164			4	1	2	802019	1	P500 SCANIA-4.5 DEG BRACKETS
57		164			4	1	2	802019S	NON	P500 SCANIA-4.5 DEG NON LUBE
57		172			4	1	2	957172	1	IVECO

# UNIVERSAL JOINT DIMENSIONAL DATA

C	W1	W2	D2	D3	CAP QTY	CAP TYPE	FIG	PART NO.	LUBE	NOTES / APPLICATION
58		175			4	7	9	903008	1	HINO
59		167.4			4	1	2	802041	2	VOLVO-687.60 SERIES G.W.B
59		167.4			4	1	2	802041S	NON	VOLVO-687.60 SERIES G.W.B
59.1		167.49			4	5	3	5-124X	2	1800 SERIES
60		163			4	1	2	SPL250XP	2	SPL250
60		170			4	7	3	K5-A630	2	FIAT-TRUCK
60		180			4	1	2	802052	2	EUROPEAN
63.5		178			4	7	9	903007	1	NISSAN-UD
65	143				4	1	1	K5-A634	2	GWB 190.50 SERIES
65		157			4	1	2	U-3180	1&3	VOITH
65		172			4	1	2	K5-A643	1	GWB 687.65 / 587.48 SERIES
65		172			4	1	2	K5-A643S	NON	GWB 687.65 / 587.48 SERIES
65		190			4	1	2	802036	1	SCANIA P600 SERIES
65		190			4	1	2	802036S	NON	SCANIA P600 SERIES
68	95				4	2	1	801001	1	MERCEDES
68	95				4	2	2	801001S	NON	MERCEDES NON LUBE
68	117				4	2	1	K5-A802	1	MERCEDES
71.43		223.04			4	7	3	5-54X	2	1900 SERIES - 4 BOLTS
72		185			4	1	2	K5-A625	1	GWB 587.50 SERIES
74	129				4	2	1	K5-A707	1	GWB 292.50 SERIES
74	154				7	4	1	K5-A626	2	GWB 190.55 SERIES
74		180			4	1	2	U-3208	2	VOITH
74		217			4	1	2	K5-A708	1	GWB 587.55 SERIES
77.8		255.19			4	1	2	5-339X	2	1950 SERIES SPICER
83	129				4	2	1	K5-A714	1	GWB 390.60 SERIES
83	139				4	1	1	K5-A709	1	GWB 292-55 SERIES
83		220			4	1	2	U-3250	3	VOITH
83	175				4	1	1	K5-A627	2	GWB 190.60 SERIES
95	139				4	2	1	K5-A715	1	GWB 390.65 SERIES
95	160				4	1	1	5-372X	2	GWB 292.60 SERIES
95	190				4	1	1	K5-A628	2	GWB 190.65 SERIES
95		255.7			4	1	2	U-3285	1	VOITH
110	160				4	1	1	K5-A716	2	GWB 390.70 SERIES
110	176				4	1	1	K5-A711	1	GWB 292.65 SERIES
110	210				4	1	1	K5-A629	2	GWB 190.70 SERIES
110		275			4	1	2	U-3315	2	VOITH
120	176				4	1	1	K5-A717	1	GWB 390.75 SERIES
120	196				4	1	1	K5-A718	1	GWB 292.70 SERIES
120	235				4	1	1	K5-A712	2	GWB 190.75 SERIES
130	216				4	1	1	K5-A719	1	GWB 390.80 SERIES
130	216				4	1	1	K5-A790	1	GWB 292.75 SERIES

# UNIVERSAL JOINT DIMENSIONAL DATA

C	W1	W2	D2	D3	CAP QTY	CAP TYPE	FIG	PART NO.	LUBE	NOTES / APPLICATION
130	262				4	1	1	<b>K5-A713</b>	2	GWB 190.80 SERIES
154	250				4	1	1	<b>K5-A820</b>	1	GWB 292.80 SERIES
170	276				4	1	1	<b>K5-A791</b>	1	GWB 393.85 SERIES
			33.34	59.53	4	3T	4	<b>114-2110</b>	2&3	2C SERIES MECHANICS
			33.34	59.53	4	3D	4	<b>114-2117</b>	2	2C SERIES - WITH BOLTS
			33.34	59.53	4	3D	4	<b>114-2186</b>	3	2C SERIES -WITH OUT BOLTS
			33.34	59.53	2	3T	4	<b>114-2116</b>	2	2C SERIES MECHANICS WITH BOLTS
			33.34	59.53	2	3D				
			33.34	59.53	2	3T	4	<b>114-2185</b>	3	2C SERIES MECHANICS WITH OUT BOLTS
			33.34	59.53	2	3D				
			36.52	69.85	4	3T	4	<b>114-3100</b>	2	3C SERIES MECHANICS
			36.52	69.85	4	4	4	<b>114-3125</b>	2	3C SERIES MECHANICS
			36.52	69.85	2	3D	4	<b>114-3101</b>	2&3	3C SERIES MECHANICS COUNTERSUNK
			36.52	69.85	2	3T				
			39.52	69.85	2	3T	4	<b>114-3121</b>	2	3C SERIES MECHANICS LWT TO HWD
			36.52	69.85	2	4				
			36.52	87.32	4	3T	4	<b>114-4100</b>	2	4C SERIES MECHANICS
			36.52	87.32	4	4	4	<b>114-4113</b>	2	4C SERIES MECHANICS
			36.52	87.32	2	3T	4	<b>114-4110</b>	2	4C SERIES MECHANICS STANDARD HOLES
			36.52	87.32	2	4				
			36.52	87.32	2	3T	4	<b>RUJ-4003</b>	2	4C SERIES MECHANICS COUNTERSUNK
			36.52	87.32	2	3D				
			36.52	87.32	2	3D	4	<b>114-4141</b>	2	4C SERIES MECHANICS
			36.52	87.32	2	4				
			36.52	87.32	4	3D	4	<b>114-4105</b>	2	4C SERIES MECHANICS COUNTER- SUNK
			42.85	88.9	4	3T	4	<b>114-5122</b>	2	5C SERIES MECHANICS
			42.85	88.9	4	4	4	<b>114-5177</b>	2	5C SERIES MECHANICS
			42.85	88.9	4	4	4	<b>114-5177SP</b>	NON	5C SERIES - NON LUBE
			42.85	88.9	4	3D	4	<b>114-5148</b>	2	5C SERIES MECHANICS
			42.85	88.9	2	3T	4	<b>114-5173</b>	2	5C SERIES MECHANICS
			42.85	88.9	2	4				
			42.85	88.9	2	3T	4	<b>114-5031</b>	NON	5C SERIES MECHANICS 33.29MM HOLE IN CENTRE
			42.85	88.9	2	4				
			42.85	88.9	2	3T	4	<b>114-5127</b>	2	5C SERIES MECHANICS
			42.85	88.9	2	3D				
			42.85	114.3	2	3T	4	<b>114-6143</b>	2	6C SERIES MECHANICS TO 7C SERIES MECHANICS
			49.21	117.6	2	4				
			42.85	114.3	4	3D	4	<b>114-6104</b>	2	6C SERIES - COUNTERSUNK
			42.85	114.3	4	4	4	<b>114-6128</b>	2	6C SERIES MECHANICS

# UNIVERSAL JOINT DIMENSIONAL DATA

C	W1	W2	D2	D3	CAP QTY	CAP TYPE	FIG	PART NO.	LUBE	NOTES / APPLICATION
			42.85	114.3	4	4	4	<b>114-6128SP</b>	NON	6C SERIES - LUBE FOR LIFE
			42.85	114.3	2	3T	4	<b>114-6114</b>	2	6C SERIES MECHANICS
			42.85	114.3	2	4				
			42.85	114.3	2	3T	4	<b>114-6103</b>	2	6C SERIES MECHANICS
			42.85	114.3	2	3D				
			42.85	114.3	2	4	4	<b>114-6285</b>	2	6C SERIES MECHANICS
			42.85	114.3	2	4				DOUBLE KEYED
			42.85	114.3	2	3T	4	<b>114-6162</b>	2	6C SERIES MECHANICS TO
			49.21	117.6	2	3T				7C SERIES MECHANICS
			42.85	114.3	4	3T	4	<b>114-6143</b>	2	6C SERIES MECHANICS
			49.2	104	4	4	4	<b>804001</b>	2	EUROPEAN TRACTOR
			49.21	107.5	4	3T	4	<b>CP58WB29</b>	2	JOHN DEERE - SKIDDER
			49.21	107.5	4	4	4	<b>CP58WB38</b>	2	JOHN DEERE - SKIDDER
			49.21	107.5	2	3T	4	<b>CP58WB37</b>	2	JOHN DEERE - SKIDDER
			49.21	107.5	2	4				
			49.21	117.6	4	3T	4	<b>114-7205</b>	2	7C SERIES MECHANICS
			49.21	117.6	4	4	4	<b>114-7126</b>	2	7C SERIES MECHANICS
			49.21	117.6	4	4	4	<b>114-7126SP</b>	NON	7C SERIES - NON LUBE
			49.21	117.6	4	4	4	<b>114-7126P</b>	2	7C SERIES MECHANICS PREMIUM
			49.21	117.6	4	4	4	<b>114-7126-4A</b>	3	7C SERIES - 4 POINT LUBE
			49.21	117.6	4	3D	4	<b>114-7208</b>	2	7C SERIES - COUNTERSUNK
			49.21	117.6	2	3T	4	<b>114-7207</b>	2	7C SERIES MECHANICS
			49.21	117.6	2	4				WING - BLOCK
			49.21	117.6	2	3T	4	<b>114-7207-4A</b>	2	7C SERIES MECHANICS
			49.21	117.6	2	4				WING - BLOCK 4 POINT LUBE
			49.21	117.6	2	3D	4	<b>114-7209</b>	2	7C SERIES MECHANICS
			49.21	117.6	2	4				COUNTERSUNK
			49.21	117.6	2	3T	4	<b>114-7206</b>	2	7C SERIES MECHANICS
			49.21	117.6	2	3D				COUNTERSUNK
			49.21	174.63	4	3T	4	<b>114-8205</b>	2	8C SERIES MECHANICS
			49.21	174.63	4	3D	4	<b>114-8208</b>	2	8C SERIES MECHANICS
			49.21	174.63	4	4	4	<b>114-8113</b>	2	8C SERIES MECHANICS
			49.21	174.63	4	4	4	<b>114-8113-4A</b>	3	8C SERIES LUBE THRU 4 CAPS
			49.21	174.63	4	4	4	<b>114-8113SP</b>	NON	8C SERIES - NON LUBE
			49.21	174.63	2	3T	4	<b>114-8207</b>	2	8C SERIES MECHANICS
			49.21	174.63	2	4				
			49.21	174.63	2	3T	4	<b>114-8207-4A</b>	2	8C SERIES MECHANICS
			49.21	174.63	2	4				4 POINT LUBE
			49.21	174.63	2	3T	4	<b>114-8206</b>	2	8C SERIES MECHANICS
			49.21	174.63	2	3D				COUNTERSUNK

# UNIVERSAL JOINT DIMENSIONAL DATA

C	W1	W2	D2	D3	CAP QTY	CAP TYPE	FIG	PART NO.	LUBE	NOTES / APPLICATION
			50	115	4	3T	4	904001	2	ISUZU
			56	140	4	3T	4	904002	1	ISUZU
			60	104	4	4	4	904003	1	FURUKAWA
			60	159	4	3	4	904004	1	ISUZU
			61.98	125.22	4	4	4	404001	2	J170 TWIN DISC
			71.44	123.83	4	3T	4	114-8514	2	8.5C SERIES MECHANICS
			71.44	123.83	4	4	4	114-8516	2	8.5C SERIES MECHANICS
			71.44	123.83	4	4	4	114-8516SP	NON	8.5C SERIES - NON LUBE
			71.44	123.83	2	3T	4	114-8508	1	8.5C SERIES MECHANICS
			71.44	168.3	4	3T	4	114-9014	2	9C SERIES MECHANICS
			71.44	168.3	4	4	4	114-9016	2	9C SERIES MECHANICS
			71.44	168.3	4	4	4	114-9016P	2	9C SERIES MECHANICS PREMIUM
			71.44	168.3	4	4	4	114-9016SP	NON	9C SERIES - NON LUBE
			71.44	168.3	2	3T	4	114-9017	2	9C SERIES MECHANICS
			71.44	168.3	2	4				WING - BLOCK
			71.44	168.3	2	3T	4	114-9026	2	9C SERIES MECHANICS
			71.44	168.3	2	3D				
			71.44	168.3	4	4	4	114-9500	1	J310 TWIN DISC
			71.44	168.3	4	4	4	114-9500SP	NON	J310 T.D - NON LUBE
			88.9	172.72	4	4	4	114-10500	2	J490 TWIN DISC - .625" BOLT
			88.9	172.72	2	4	4	114-10033	2	J490 TWIN DISC TO
			92.07	165.1	2	4				10C MECHANICS .625" BOLTS
			88.9	172.72	4	4	4	114-11002	2	J600 TWIN DISC .750" BOLTS
			92.07	165.1	4	3	4	114-10000	2	10C MECHANICS LWD
			92.07	165.1	4	4	4	114-10003	2	10C MECHANICS .562" BOLTS
			92.07	165.1	4	3D	4	114-10007	2	10C MECHANICS - COUNTERSUNK
			92.07	165.1	4	4	4	114-10011	2	10C MECHANICS .625" BOLTS
			92.07	165.1	4	4	4	114-10011SP	NON	10C MECH .625" BOLTS - NON LUBE
			92.2	241.3	4	3D	4	114-12000	2	12C MECHANICS .500" BOLTS
			92.2	241.3	4	4	4	114-12002	2	KOMATSU 14MM BOLTS
			92.2	241.3	4	4	4	114-12002SP	NON	KOMATSU 14MM BOLTS NON LUBE
			99.97	199.95	4	4	4	114-15002	2	J800 TWIN DISC
			99.97	199.95	4	4	4	114-15002SP	2	J800 T/DISC - NON LUBE
			99.97	199.95	4	4	4	114-15003	2	J800 T/DISC M20X2.5 BOLTS
			99.97	199.95	4	4	4	114-15003SP	2	J800 T/DISC - NON LUBE
			134.88	269.5	4	4	4	114-14000	2	14C SERIES MECHANICS

# APPLICATION LISTING

Make	Model	Year	Joint Position			Notes
			Front	Middle	Rear	
<b>AUSTIN</b>						
1800	MANUAL	65-70	K5-A514		N/A	INNER HALF SHAFT
	AUTO	65-70	K5-L4R		N/A	INNER HALF SHAFT
TASMAN, KIMBERLEY		70-73	K5-A514		N/A	INNER HALF SHAFT
<b>CHRYSLER</b>						
CENTURA	KB,KC	75-78	RUJ-2038		RUJ-2038	6 CYL
VALIANT	AP5,AP6, VC MANUAL	62-69	114-67R		RUJ-2038	
	VC(AUTO), VE -CM	66-78	RUJ-2038		RUJ-2038	EXC CHARGER D74
	VJ, VK CHARGER	73-76	RUJ-2038		114-232	D74 & H/D AXLE (SURE GRIP)
<b>DAIHATSU</b>						
HI JET	S38,40,60,65,70	72-84	K5-A510		K5-A510	
	S75,85	84-90	RUJ-1500		RUJ-1500	
	S76 4WD	84-86	K5-A510		K5-A510	FRONT SHAFT
	S76 4WD	84-86	RUJ-1500		RUJ-1500	REAR SHAFT
DELTA	ALL	73-77	K5-A522		K5-A522	EXC SOME 3.0L MODELS(RUJ-2505)
	ALL	77-8/84	114-3105	114-3105	114-3105	
F SERIES	F10	74-3/75	K5-A522		K5-A522	
	ALL F SERIES & SCAT	4/75-85	RUJ-2023		RUJ-2023	
FEROZA 4WD	F300,F310	10/88-1/99	RUJ-1500		RUJ-1500	FRONT SHAFT
	F300,F310	10/88-1/99	K5-A522		K5-A522	REAR SHAFT
ROCKY 4WD	ALL MODELS	84-93	RUJ-2023		RUJ-2023	FRONT & REAR SHAFT (INT SNAP RING TYPE) SOME
			K5-A522		K5-A522	FRONT & REAR SHAFT (EXT CIRCLIP TYPE) MOST
	F78 SPORTS WAGON	9/93-1/99	K5-A522		K5-A522	FRONT & REAR SHAFT
TERIOS 4WD	J100/J102 DX/ SX WAGON	97-				CRIMPED UNIVERSAL JOINTS
<b>DAIMLER</b>						
DOUBLE SIX	SERES 1,2,3	72-	K5-13XR	K5-13XR	K5-13XR	DRIVE SHAFT
			K5-GB10R		K5-GB10R	HALF SHAFT
SOVEREIGN	SERIES 1,2,3	68-86	K5-13XR	K5-13XR	K5-13XR	DRIVE SHAFT
			K5-GB10R		K5-GB10R	HALF SHAFT
		86-	K5-L4R	K5-L4R	K5-L4R	DRIVE SHAFT



# APPLICATION LISTING

Make	Model	Year	Joint Position			Notes
			Front	Middle	Rear	
<b>FIAT</b>						
124, 125, 131, 132		68-82	K5-LGB80R		K5-LGB80R	
130		72-76	K5-L4R		K5-L4R	
<b>FORD</b>						
CAPRI	4 CYL IMPORTED PROD	69-73	K5-GB150	K5-GB150	K5-GB150	EXTERNAL CIRCLIP TYPE
	4 CYL AUST BUILT	71-73	RUJ-1786	RUJ-1786	RUJ-1786	INTERNAL SNAP RING TYPE
	V6 IMPORTED	69-	902011		902011	VEHICLES HAVE STAKED JOINTS - REF TO NOTE END OF SECTION
	V6 AUST BUILT	71-	RUJ-1786	RUJ-1786	RUJ-1786	INTERNAL SNAP RING TYPE
CORTINA	MK 1, 2	62-71	K5-GB150		K5-GB150	EXTERNAL CIRCLIP TYPE
	MK 1, 2	62-71				VEHICLES HAVE STAKED JOINTS - REF TO NOTE END OF SECTION
	MK 1, 2 AUST BUILT	69-71	RUJ-1786		RUJ-1786	INTERNAL SNAP RING TYPE
	TC,TD,TE, TF 4 CYL ALL	71-82	RUJ-1786	RUJ-1786	RUJ-1786	
	TC,TD,TE, TF 6 CYL ALL	71-82	RUJ-1786		RUJ-1786	
ESCORT	MK1 1100,1300, 1558 T/CAM	66-3/70	K5-GB150		K5-GB150	
	MK 1 1100	4/70-	RUJ-1786		RUJ-1786	
	MK 1 1300	4/70-75	RUJ-1786	RUJ-1786	RUJ-1786	
	MK 1, 2 SOME	66-81				VEHICLES HAVE STAKED JOINTS - REF TO NOTE END OF SECTION
	MK 2 1300, 1600, 2000	75-81	RUJ-1786	RUJ-1786	RUJ-1786	1 AND * 2 PIECE SHAFTS
FAIRLANE (6 CYL)	ZA,ZB	67-69	RUJ-2038		RUJ-2039	USE RUJ-2039 WITH 9", USE RUJ-2038 FOR BORG WARNER
	ZC	69-70	RUJ-2038		RUJ-2029	USE RUJ-2039 WITH 9", USE RUJ-2038 FOR BORG WARNER
	ZD-NA	71-5/91	RUJ-2038		RUJ-2038	
	NC	6/91-95	RUJ-2038		RUJ-2038	STEEL SHAFTS
	NC-AU	6/91-02	K5-13XR		K5-13XR	ALUMINIUM SHAFTS
FAIRLANE (V8)	ZA, ZB	67-69	RUJ-2038		RUJ-2039	9"
	ZC 302 3SPD MAN	69-70	RUJ-2038		RUJ-2029	9"
	ZC, ZD, ZF,ZG 351 FMX AUTO	69-76	RUJ-2038		RUJ-2039	9"
	ZD ,ZF, ZG 302	70-76	RUJ-2038		RUJ-2038	BORG WARNER
	ZH 4.9L	76-79	RUJ-2038		RUJ-2038	
	ZH 5.8L	76-79	RUJ-2038		RUJ-2029	INTERNAL SNAP RINGS - 9"

# APPLICATION LISTING

Make	Model	Year	Joint Position			Notes
			Front	Middle	Rear	
<b>FORD continued</b>						
FAIRLANE (V8) continued	ZJ, ZK	79-84	RUJ-2038		RUJ-2038	
	NC	6-91-95	RUJ-2038		RUJ-2038	STEEL SHAFTS
	NC-AU	6/91-02	K5-13XR		K5-13XR	ALUMINIUM SHAFTS
FALCON (6 CYL)	XK-XR	60-67	RUJ-1786		RUJ-1786	
	XR,XT (TAXI H/D MODEL)	67-68	K5-13XR		RUJ-2039	
	XT,XW 188 CU. IN	68-69	RUJ-1786		RUJ-1786	
	XW	69-70	RUJ-2038		RUJ-2029	9"
	XY-XC WITH DRUM BRAKES	70-79	RUJ-2038		RUJ-2038	
	XC WITH DISC REAR BRAKES	76-79	RUJ-2038		RUJ-2029	9"
	XD,XE,XF	79-88	RUJ-2038		RUJ-2038	
	XG UTE,VAN	93-96	K5-13XR		K5-13XR	
	XG -XH UTE, VAN	93-99	K5-13XR		K5-13XR	
	EA MAN & 3SPD AUTO	88-6/91	RUJ-2038		RUJ-2038	INTERNAL SNAP RINGS
	EA AUTO SED &MPFI WAGON	88-6/91	K5-13XR		K5-13XR	EXTERNAL SNAP RINGS
	EA WAGON 4SPD AUTO TBFI	88-6/91	K5-13XR			
	EB,ED,EF,EL AU, AU2,AU3	7/91-10/02	K5-13XR		K5-13XR	STEEL & ALUMINIUM SHAFTS
	BA SEDAN ALL 6 CYL (EXCEPT TURBO)	11/02-		K5-13XR	CV-860	* RUBBER COUPLING FRONT
	BA MKII,BF SEDAN ALL 6 CYL (EXCEPT TURBO)	10/04-		K5-13XR	CV-860	* RUBBER COUPLING FRONT
	BA,BF SEDAN 6CYL WITH CENTRE U/JOINT	11/02-		K5-13XR	CV-860	* RUBBER COUPLING FRONT
FALCON (6 CYL)	BA,BF SEDAN 6CYL TURBO W/OUT U/ JOINT	11/02-		CV-862	CV-861	* RUBBER COUPLING FRONT
FALCON (V8)	XR, XT, XW INC GT	66-69	K5-13XR		RUJ-2039	9"
	XW, XY GTHO	69-71	RUJ-3002		RUJ-3000	9"
	XY, XA, XB 302	70-76	RUJ-2038		RUJ-2038	
	XA, XB 302	72-76	RUJ-2038		RUJ-2029	WITH 9" DIFF EXC GT351
	XA, XB 351 INC GT	72-76	K5-13XR		RUJ-2039	
	XA, XB 351GT WITH H/D SHAFT	72-76	RUJ-3002		RUJ-3000	
	XC SEDAN	76-79	RUJ-2038		RUJ-2038	DRUM REAR B/W DIFF
	XC SEDAN	76-79	RUJ-2038		RUJ-2029	DISC BRAKE B/W DIFF

# APPLICATION LISTING

Make	Model	Year	Joint Position			Notes
			Front	Middle	Rear	
<b>FORD continued</b>						
FALCON (V8) continued	BA, BF V8 SEDAN WITHOUT U/JOINT	11/02-		CV-862	CV-861	* RUBBER COUPLING FRONT
	XC 351 WAGON, UTE, VAN	76-79	K5-13XR		RUJ-2039	
	XD, XE	79-84	RUJ-2038		RUJ-2038	
	EB	7/91-93	RUJ-2038		RUJ-2038	(SOME) INTERNAL SNAP RINGS
	EB, ED, EF, EL, AU, AU2, AU3	7/91-10/02	K5-13XR		K5-13XR	
	BA,BF V8 WAGON, UTE ALL	11/02-	K5-13XR		K5-13XR	
	LTD P5 LTD /LAN- DAU	73-76	K5-13XR		RUJ-2039	
	P6 LTD	76/79	RUJ-2038		RUJ-2029	
	FC,FD,FE	5/79-5/88	RUJ-2038		RUJ-2038	
	DC, DF(SOME)	6/88-7/91	RUJ-2038		RUJ-2038	STEEL TAILSHAFT INTERNAL SNAP RINGS
FALCON (V8)	DF,DL,AU	8/91-03	K5-13XR		K5-13XR	ALUMINIUM TAILSHAFT AND/OR EXTERNAL SNAP RINGS
BRONCO	F100, F150	ALL				
<b>** F250, F350NOTE: RANGE OF JOINTS USED REQUIRES THAT ALL APPLICATIONS SHOULD BE MEASURED TO ENSURE CORRECT FITMENT OF EACH JOINT</b>						
COURIER	2WD VC,MA, 2.0L, 2.2L	78-98	RUJ-2023	RUJ-2023	RUJ-2023	SOME VEHICLES HAVE STAKED JOINTS - REF TO NOTE END OF SECTION
	PE, PG, 2.6L & 2.5DT	02/99-8/04	K5-13XR	K5-13XR	K5-13XR	
	PH, 2.6L & 2.5DT	9/04-10/06	K5-13XR	K5-13XR	K5-13XR	
	4X4, PC, PD	87-98	RUJ-2049		RUJ-2049	FRONT SHAFT
		87-98	RUJ-2023	RUJ-2023	RUJ-2023	REAR SHAFT
COURIER	4X4, PE, PG	99-8/04				FRONT SHAFT
		99-8/04	K5-13XR	K5-13XR	K5-13XR	REAR SHAFT
						SOME VEHICLES HAVE STAKED JOINTS - REF TO NOTE END OF SECTION
	4X4, PH, 2.6L & 2.5DT	9/04-10/06	K5-13XR		K5-13XR	FRONT SHAFT
		9/04-10/06	RUJ-3002	RUJ-3002	RUJ-3002	REAR SHAFT
	4X4, 4.0L	9/04-10/06	K5-13XR		CV JOINT	FRONT SHAFT (CV JOINT NOT CURRENTLY SERVICEABLE)
		9/04-10/06	CV JOINT	CV JOINT	CV JOINT	REAR SHAFT (FITTED WITH THREE CV JOINTS - NOT CURRENTLY SERVICEABLE)
ECONOVAN (SPECTRON)	EASYLOADER	79-88				DUAL REAR WHEELS
	DIESEL E2200	83-	RUJ-2049		RUJ-2049	SINGLE REAR WHEELS
						SOME VEHICLES HAVE STAKED JOINTS -REF TO NOTE END OF SECTION
	MAXI	85-	RUJ-2023		RUJ-2023	

# APPLICATION LISTING

Make	Model	Year	Joint Position			Notes
			Front	Middle	Rear	
<b>FORD continued</b>						
ECONOVAN (SPECTRON)	SPECTRON 4X4	85-88	RUJ-2049		RUJ-2049	FRONT SHAFT
	SPECTRON 4X4	85-88	RUJ-2023		RUJ-2023	REAR SHAFT
EXPLORER	4X4 WAGON	96-	K5-13XR		K5-13XR	FRONT SHAFT W/ SPORT TRAC
		96-	RUJ-3002		RUJ-3002	REAR SHAFT
		02-	K5-13XR		CV-860	FRONT SHAFT
RAIDER	4X4	91-	RUJ-2049		RUJ-2049	FRONT SHAFT
		91-	RUJ-2023	RUJ-2023	RUJ-2023	REAR SHAFT
RANGER	2WD,PJ 2.5DT	11/06-	RUJ-3002	RUJ-3002	RUJ-3002	
	4WD, PJ 3.0DT	11/06-	K5-13XR		K5-13XR	FRONT SHAFT
		11/06-	RUJ-3002	RUJ-3002	RUJ-3002	REAR SHAFT
TRANSIT	V21,V22,V24,V33 - 4CYL MAN	65-74	K5-L4R		K5-L4R	
	V21,V22,V24,V33,V51,V54,V65 - 4CYL AUTO	68-74	K5-13XR		K5-13XR	
	V51,V54,V65 - 4CYL MAN	65-74	K5-13XR		K5-13XR	
	V21,V23,V33,V51 (AUST PROD)	78-92	RUJ-2038		RUJ-2038	
	V24,V51,V54 (AUST PROD) LWB	78-82	RUJ-2030	RUJ-2030	RUJ-2038	SINGLE & DUAL REAR WHEELS
	NEW TRANSITS	94-		CV-855		(SOME) 94MM DIAMETER CV JOINT (BOOT KIT INCLUDED)
		94-		86-H288		(SOME) 108MM DIAMETER CV JOINT
		01-			(SOME) *RUBBER COUPLING FRONT	
MAVERICK	DA 4X4	87-92	RUJ-2028		RUJ-2028	FRONT SHAFT
		87-92	901003		901003	REAR SHAFT
<b>** SOME VEHICLES HAVE STAKED JOINTS (UNSERVICEABLE WITHOUT SPECIAL TOOLING) REFER BEATTYS DRIVELINE TECHNOLOGIES SHAFT REPLACEMENT OPTIONS</b>						
<b>HOLDEN / ISUZU</b>						
EARLY MODELS (6 CYL)	FX-FJ	48-56	RUJ-1786		RUJ-1764	
	FB,FC,FE,EK,EJ	56-63	RUJ-1786		RUJ-1758	
	EH,HD,HR	63-67	RUJ-1786		RUJ-1786	
	HK - 6 Cylinder	68-69	RUJ-1786		RUJ-2030	WITH 4SPD MAN & 3.08 RATIO REAR AXLE ONLY
	HK,HT,HG,HQ,HJ,HX, HZ - 6 Cylinder	68-80	RUJ-1786		RUJ-1786	
	HJ,HX,HZ - V8	74-80	RUJ-2030		RUJ-2030	WITH SALISBURY DIFF
	WB	80-85	RUJ-2030		RUJ-2030	UTE, PANEL VAN

# APPLICATION LISTING

Make	Model	Year	Joint Position			Notes
			Front	Middle	Rear	
<b>HOLDEN / ISUZU continued</b>						
EARLY MODELS (6 CYL) continued	HQ ONE TONNER (SOME)	71-73	RUJ-2030		RUJ-2030	SOME
	HQ-WB ONE TONNER	71-85	RUJ-2500R		RUJ-2500R	
EARLY MODELS (V8)	HK 307	68-69	RUJ-1786		RUJ-1786	MANUAL
	HK, HT 307	68-70	RUJ-2030		RUJ-2030	AUTO & BANJO DIFF
	HK, HT 307	68-70	RUJ-2030		RUJ-2032	AUTO & SALISBURY DIFF,ALL 327
	HT, HG 253	69-71	RUJ-2030		RUJ-2030	MAN & AUTO
	HT 308	69-70	RUJ-2500R		RUJ-2502	MAN
	HG 308	70-71	RUJ-2030		RUJ-2030	WITH BANJO DIFF
					RUJ-2032	WITH SALISBURY DIFF
	HG 350	70-71	RUJ-2030		RUJ-2502	MANUAL
	HG 350	70-71	RUJ-2030		RUJ-2032	AUTO
	HQ 253,308	71-74	RUJ-2030		RUJ-2030	
	HQ 350	71-74	RUJ-2500R		RUJ-2500R	
	HJ,HX,HZ 253 & 308	74-80	RUJ-2030		RUJ-2030	253 ALL ,308 MAN & AUTO EXCEPT TURBO 400
	HJ, HX HZ 308	74-80	RUJ-2500R		RUJ-2030	308 WITH TURBO 400 AUTO
	WB EXCEPT ONE TONNER	80-85	RUJ-2030		RUJ-2030	
	HQ-WB ONE TONNER	71-85	RUJ-2500R		RUJ-2500R	
COMMODORE (4 CYL)	VC, VH	80-83	RUJ-1786	CV-856	RUJ-1786	
COMMODORE (6 CYL)	VB,VC,VH	78-84	RUJ-1786	CV-856	RUJ-1786	EXCEPT WITH HEAVY DUTY REAR AXLE
	VB,VC,VH	78-84	RUJ-2030	CV-855	RUJ-2030	WITH HEAVY DUTY REAR AXLE
	VK	84-86	RUJ-1786	CV-856	RUJ-1786	EXCLUDES EFI MODELS
	VK EFI, VL	84-88	RUJ-2030	CV-855	RUJ-2030	INCLUDES VL TURBO
	VN,VPVR,VS & VT AUTO	88-98	RUJ-2038	CV-855	RUJ-2038	
	VT MAN	96-9/00		CV-855	RUJ-2038	FRONT HAS RUBBER DRIVE COUPLING (DONUT)
	VX,VY,VZ,VE MAN	10/00-		STAKED		FRONT & REAR RUBBER DRIVE COUPLINGS
	VX,VY,VZ,VE AUTO	10/00-		STAKED		FRONT & REAR RUBBER DRIVE COUPLINGS
	VX,VY,VZ AUTO SUPERCHARGED V6	10/00-		STAKED		FRONT & REAR RUBBER DRIVE COUPLINGS
<b>**ALL VX, VY, VZ, VE'S HAVE STAKED MIDDLE JOINTS (UNSERVICEABLE WITHOUT STAKING TOOLING) REFER BEATTYS DRIVELINE TECHNOLOGIES FOR SHAFT REPLACEMENT OPTIONS</b>						
COMMODORE (V8)	VB,VC,VH,	78-84	RUJ-2030	CV855	RUJ-2030	253 ALL, 308 MAN AND AUTO EXCEPT TURBO 400
	VB,VC,VH 308 TURBO 400 ONLY	78-84	RUJ-2500R	CV855	RUJ-2030	

# APPLICATION LISTING

Make	Model	Year	Joint Position			Notes
			Front	Middle	Rear	
<b>HOLDEN / ISUZU continued</b>						
COMMODORE (V8) continued	VK,VL	84-88	RUJ-2030	CV855	RUJ-2030	
	VP,VR,VS & VT AUTO	88-9/00	RUJ-2038	CV855	RUJ-2038	
	VT SERIES 1 V8 MANUAL	9/97-9/00		CV855	RUJ-2038	FRONT HAS RUBBER DRIVE COUPLING (DONUT)
	VT SERIES 2 5.7L GEN 3 (HI PERF) MAN	98-9/00		CV855	RUJ-2038	FRONT HAS RUBBER DRIVE COUPLING (DONUT)
	VX,VY,VZ	10/00-		STAKED		FRONT & REAR RUBBER DRIVE COUPLINGS
	VE	10/06-		STAKED		FRONT & REAR RUBBER DRIVE COUPLINGS
<b>**ALL VX, VY, VZ, VE'S HAVE STAKED MIDDLE JOINTS (UNSERVICEABLE WITHOUT STAKING TOOLING) REFER BEATTYS DRIVELINE TECHNOLOGIES FOR SHAFT REPLACEMENT OPTIONS</b>						
DROVER QG	QG	85-87	RUJ-1795		RUJ-1795	IF INTERNAL CIRCLIPS
	QG	85-87	RUJ-1783		RUJ-1783	IF EXTERNAL CIRCLIPS
FRONTERA	2.0L 2 DOOR	96-	K5-L4R		K5-L4R	FRONT & REAR SHAFTS
GEMINI	TC,TD,TE,TF,TG, TX PETROL	75-	RUJ-1786		RUJ-1786	DIESEL GEMINIS HAVE STAKED JOINTS - REF TO NOTE END OF SECTION
JACKEROO / BIGHORN	UBS	81-7/88	K5-LGB80R		RUJ-2033	FRONT SHAFT
			RUJ-2033	RUJ-2033	RUJ-2033	REAR SHAFT
				(LWB ONLY)		
	UBS	8/88-5/98	RUJ-2033		RUJ-2033	FRONT SHAFT
		8/88-5/98	RUJ-2033	RUJ-2033	RUJ-2033	REAR SHAFT
				(LWB ONLY)		
	UVS 3.5L V6 AND TURBO DIESEL	6/98-	901013		901013	FRONT SHAFT
			901013	901013	901013	REAR SHAFT
	UVS MONTEREY (WITH TORQUE DEMAND ONLY)	6/98-	RUJ-2033		RUJ-2033	FRONT SHAFT
	UVS MONTEREY (WITH TORQUE DEMAND ONLY)	6/98-	RUJ-2033	RUJ-2033	RUJ-2033	REAR SHAFT
PIAZZA 2.0L TURBO	2.0L TURBO	86-88	STAKED		STAKED	VEHICLES HAVE STAKED JOINTS - REF TO NOTE END OF SECTION
RODEO 2WD	KB, KBD 20 SERIES	75-88	K5-LGB80R	K5-LG-B80R	K5-LGB80R	
	TF SERIES	8/88-	RUJ-2033	RUJ-2033	RUJ-2033	
	TF R9 3.2 V6	6/98 2003	901013	RUJ-2033	RUJ-2033	
RODEO 4WD	KB, KBD 20 SERIES	79-7/88	K5-LGB80R		RUJ-2033	FRONT SHAFT
	KB, KBD 20 SERIES	79-7/88	RUJ-2033	RUJ-2033	RUJ-2033	REAR SHAFT
	TF SERIES	8/88-	RUJ-2033		RUJ-2033	FRONT SHAFT - RUJ-2033 IA NON LUBE USED IN SOME VEHICLES

# APPLICATION LISTING

Make	Model	Year	Joint Position			Notes
			Front	Middle	Rear	
<b>HOLDEN / ISUZU continued</b>						
RODEO 4WD		8/88-	RUJ-2033	RUJ-2033	RUJ-2033	"REAR SHAFT - RUJ-2033 IA NON LUBE USED IN SOME VEHICLES "
	TF R9 3.2 V6, TURBO DIESEL	6/98 -2003	RUJ-2033		RUJ-2033	FRONT SHAFT
		6/98 -2003	RUJ-2033	RUJ-2033	RUJ-2033	REAR SHAFT
	RA TURBO DIESEL	2003-	901013	901013	901013	REAR SHAFT
SCURRY		85-87	RUJ-1501		RUJ-1501	
SHUTTLE	WFR11, WFR51	82-86	K5-LGB80R		K5-LGB80R	IF EXTERNAL CIRCLIPS
		82-90	RUJ-2033		RUJ-2033	IF INTERNAL SNAP RINGS
STATESMAN	HQ 308 V8	71-74	RUJ-2030		RUJ-2030	
	HQ 350 V8	71-74	RUJ-2500R		RUJ-2030	
	HJ, HX, HZ	74-79	RUJ-2500R		RUJ-2030	
	WB	80-85	RUJ-2030		RUJ-2030	
	VQ, VR, VS STATESMAN/CAPRICE	90-6/99	RUJ-2038	CV-855	RUJ-2038	
	WH SERIES 1 STATESMAN/CAPRICE	7/99-8/01	RUJ-2038	CV-855	RUJ-2038	
	WH SERIES 2, WK STATESMAN/CAPRICE V6 MPFI, WM	9/01-		STAKED		FRONT & REAR RUBBER DRIVE COUPLINGS
	WH SERIES 2, WK STATESMAN/CAPRICE V6 S/C, V8	9/01-		STAKED		FRONT & REAR RUBBER DRIVE COUPLINGS
	WM V8	9/06-		STAKED		WH-WM SERIES 2, WK'S HAVE STAKED MIDDLE JOINTS REF END OF SECTION
SUBURBAN	K8 V8 DIESEL TURBO	98-01	5-178X		5-178X	
	K8 5.7L V8 PETROL	98-01	RUJ-3002		RUJ-3000	
TORANA (4 CYL)	HB	67-69	K5-LGB80R		K5-LGB80R	IF EXTERNAL CIRCLIPS
		67-69	RUJ-1786		RUJ-1786	IF INTERNAL SNAP RINGS
	LC, LJ, TA, LH, LX, UC (SUNBIRD)	70-80	RUJ-1786		RUJ-1786	
TORANA (6 CYL)	LC, LJ, LH, LX, UC	70-80	RUJ-1786		RUJ-1786	
TORANA (V8)	LH, LX,	74-78	RUJ-2030		RUJ-2030	
<b>** SOME VEHICLES HAVE STAKED JOINTS (UNSERVICEABLE WITHOUT SPECIAL TOOLING) REFER BEATTYS DRIVELINE TECHNOLOGIES SHAFT REPLACEMENT OPTIONS</b>						
<b>HYUNDAI</b>						
SANTA FE V6	SOME MODELS				902026	IF EXTERNAL CIRCLIPS

# APPLICATION LISTING

Make	Model	Year	Joint Position			Notes
			Front	Middle	Rear	
<b>HYUNDAI continued</b>						
SANTA FE V6	CAN HAVE				STAKED	UNSERVICEABLE WITHOUT SPECIAL TOOLING
TUCSON	SOME MODELS				K5-13XR	IF EXTERNAL CIRCLIPS
	SOME MODELS				RUJ-2049	IF INTERNAL SNAP RINGS
	CAN HAVE				STAKED	UNSERVICEABLE WITHOUT SPECIAL TOOLING
<b>JAGUAR</b>						
XJ6, XJ12, XJS		68-86	K5-13XR	K5-13XR	K5-13XR	
		87-	K5-L4R	K5-L4R	K5-L4R	
		ALL	K5-GB10R			HALF SHAFT REAR
<b>JEEP</b>						
J10,J20 4X4		74-88	K5-13XR		K5-13XR	FRONT & REAR SHAFTS
			5-297X			WHEEL JOINTS FRONT AXLE
CHEROKEE	INCLUDING GRAND CHEROKEE	88-98	K5-13XR		K5-13XR	FRONT & REAR SHAFTS
			5-297X			WHEEL JOINTS FRONT AXLE W/OUT ANTI LOCK BRAKES
			5-297X			WHEEL JOINTS FRONT AXLE WITH ANTI LOCK BRAKES
WRANGLER	CJ,YJ	94-	K5-13XR		K5-13XR	FRONT & REAR SHAFTS
			5-260X			WHEEL JOINTS FRONT AXLE
<b>KIA</b>						
SPORTAGE	4 X 4	11/96-	RUJ-2049		RUJ-2049	FRONT AND REAR SHAFT
<b>LADA</b>						
NIVA	4 X 4 WAGON (MOST 23.8MM CAP)	83-92	K5-LGB80R		K5-LGB80R	FRONT AND REAR SHAFT
	4 X 4 WAGON (SOME 28MM CAP)	88-92	802005		802005	FRONT AND REAR SHAFT
	4 X 4 WAGON	92-99	802005		802005	FRONT AND REAR SHAFT
<b>LEYLAND/MORRIS</b>						
MINI 850,1100, COOPER	AUTO	59-78	K5-GB150			INNER FWD SHAFT
	COOPER S FROM BODY 1918		K5-GB150			INNER FWD SHAFT
NOMAD	1300, 1500	69-72	114-2101			INNER FWD SHAFT MANUAL



# APPLICATION LISTING

Make	Model	Year	Joint Position			Notes
			Front	Middle	Rear	
<b>LEYLAND/MORRIS continued</b>						
NOMAD		69-72	RUJ-1786			INNER FWD SHAFT AUTO
MARINA	4 CYL	72-75	K5-GB150		K5-GB150	
	6 CYL	72-75	RUJ-1786		RUJ-1786	
P76	6 CYL	72-75	RUJ-1786		RUJ-1786	3 SPEED MANUAL, AUTO
	6 CYL	73-75	RUJ-2030		RUJ-2030	4 SPEED MANUAL
	V8	73-75	RUJ-2030		RUJ-2038	
MG	MGB, MGB GT	62-81	K5-LGB80R		K5-LGB80R	
	MGC, MGC GT, MGC V8	67-76	K5-13XR		K5-13XR	
<b>MAZDA</b>						
1200, 1300		67-77	RUJ-1784		RUJ-1784	
1500, 1800		67-74	RUJ-1784		RUJ-1784	
1600, CAPELLA		70-78	RUJ-1784	RUJ-1784	RUJ-1784	ONLY SOME - RUJ-1784
121, 121L		76-80	RUJ-1784	RUJ-1784	RUJ-1784	
323	RWD	77-85	RUJ-1500		RUJ-1500	
			RUJ-1784	RUJ-1784	RUJ-1784	SOME MODELS
626	CB2	78-83	RUJ-1784	RUJ-1784	RUJ-1784	
808, SAVANNA		72-77	RUJ-1784		RUJ-1784	
929, 929L	LA2-LA4	74-84	RUJ-1784	RUJ-1784	RUJ-1784	
	HB,HBES	84-87	STAKED	STAKED	STAKED	VEHICLES HAVE STAKED JOINTS -REF TO NOTE END OF SECTION
	HC, HD-E	87-97	STAKED	STAKED	STAKED	VEHICLES HAVE STAKED JOINTS -REF TO NOTE END OF SECTION
BONGO	VAN	68-78			RUJ-2023	HALF SHAFTS
MPV	3.0L V6	4/96-	STAKED	STAKED	STAKED	VEHICLES HAVE STAKED JOINTS -REF TO NOTE END OF SECTION
MX-5		89-	STAKED		STAKED	VEHICLES HAVE STAKED JOINTS -REF TO NOTE END OF SECTION
R100, RX-2, RX-3		67-73	RUJ-1784	RUJ-1784	RUJ-1784	SOME

# APPLICATION LISTING

Make	Model	Year	Joint Position			Notes
			Front	Middle	Rear	
<b>MAZDA continued</b>						
RX4		74-78	RUJ-2049	RUJ-2049	RUJ-2049	
RX-5		78-82	RUJ-2049	RUJ-2049	RUJ-2049	
RX-7	SERIES 1	78-82	RUJ-1784		RUJ-1784	
	SERIES 2,3	82-85	STAKED		STAKED	SOME VEHICLES HAVE STAKED JOINTS - REF TO NOTE END OF SECTION
	SERIES 4,5,6	86-99	STAKED		STAKED	SOME VEHICLES HAVE STAKED JOINTS - REF TO NOTE END OF SECTION
RX-8		03-	STAKED		STAKED	
B SERIES UTES	B1600, B1800 2WD	71-82	RUJ-2023	RUJ-2023	RUJ-2023	
	B2000 2WD	82-6/88	RUJ-2023	RUJ-2023	RUJ-2023	
	B2200 2WD	6/85-12/86	RUJ-2023	RUJ-2023	RUJ-2023	
	B2200 2WD	1/87-10/91	RUJ-2023	RUJ-2023	RUJ-2023	SOME MAY HAVE STAKED JOINTS IN FRONT AND REAR
						SOME VEHICLES HAVE STAKED JOINTS - REF TO NOTE END OF SECTION
	B2600 4X4	3/87-10/91	RUJ-2049		RUJ-2049	FRONT SHAFT
		3/87-10/91	RUJ-2023	RUJ-2023	RUJ-2023	REAR SHAFT
						SOME HAVE STAKED JOINTS IN REAR SHAFT -REF TO NOTE END OF SECTION
BRAVO / BOUNTY	B2200,B2500, B2600 2WD	11/91-98	RUJ-2023	RUJ-2023	RUJ-2023	VEHICLES HAVE STAKED JOINTS -REF TO NOTE END OF SECTION
	B2500, B2600	2/99-8/04	K5-13XR	K5-13XR	K5-13XR	
	B2500, B2600	9/04-10/06	K5-13XR	K5-13XR	K5-13XR	
	B2500, B2600 4X4	11/91-98	RUJ-2049		RUJ-2049	FRONT SHAFT
		11/91-98	RUJ-2023	RUJ-2023	RUJ-2023	REAR SHAFT
		99-8/04	RUJ-2049		RUJ-2049	FRONT SHAFT
		99-8/04	K5-13XR	K5-13XR	K5-13XR	REAR SHAFT
	B2500, 4X4	9/04-10/06	K5-13XR		K5-13XR	FRONT SHAFT
	B2500, 4X4	9/04-10/06	RUJ-3002	RUJ-3002	RUJ-3002	REAR SHAFT
	B4000, 4X4		K5-13XR		CV JOINT	FRONT SHAFT (CV JOINT NOT CURRENTLY SERVICEABLE)
			CV JOINT	CV JOINT	CV JOINT	REAR SHAFT (FITTED WITH THREE CV JOINTS - NOT CURRENTLY SERVICEABLE)
BT-50	2.5DT, 3.0DT 2WD	11/06-	RUJ-3002	RUJ-3002	RUJ-3002	
	3.0DT 4X4	11/06-	K5-13XR		K5-13XR	FRONT SHAFT
		11/06-	RUJ-3002	RUJ-3002	RUJ-3002	REAR SHAFT
E SERIES VANS	E1300,E1400,E1600, E1800,E2200	71-12/83	RUJ-1784		RUJ-1784	INTERNAL CIRCLIPS
E SERIES VANS continued	E2200	84-	RUJ-2049		RUJ-2049	INTERNAL CLIPS
						SOME VEHICLES HAVE STAKED JOINTS -REF TO NOTE END OF SECTION

# APPLICATION LISTING

Make	Model	Year	Joint Position			Notes
			Front	Middle	Rear	
<b>MAZDA continued</b>						
	E2000	84-	STAKED		STAKED	WITH DUAL REAR WHEELS
		84-	STAKED		STAKED	WITH SINGLE REAR WHEELS
						SOME VEHICLES HAVE STAKED JOINTS -REF TO NOTE END OF SECTION
TRIBUTE	AWD V6		K5-13XR		K5-13XR	
T SERIES TRUCKS	T2000	5/81-12/82	RUJ-3003	RUJ-3003	RUJ-3003	
	T2600	4/85-12/88	RUJ-3003	RUJ-3003	RUJ-3003	
	T3000	6/81-10/84	RUJ-3003	RUJ-3003	RUJ-3003	
	T3500	9/87-4/97	RUJ-3003	RUJ-3003	RUJ-3003	
	T4000	11/89-6/00	RUJ-4009	RUJ-4009	RUJ-4009	
	T4100	6/81-9/89	RUJ-4009	RUJ-4009	RUJ-4009	
	T4600	6/92-	RUJ-4009	RUJ-4009	RUJ-4009	
<i>SOME VEHICLES HAVE STAKED JOINTS IN REAR SHAFT (UNSERVICABLE WITHOUT SPECIAL TOOLING) REFER BEATTYS DRIVELINE TECHNOLOGIES</i>						
<b>MITSUBISHI</b>						
GALANT	GA	8/71-10/72	RUJ-1783		RUJ-1783	UP TO CF15
	GA, GB, GC, GD	11/72-12/77	RUJ-1786		RUJ-1786	GA (CF16 ON) GC, GD EXCEPT HARDTOP
	GC, GD	7/74-12/77	RUJ-1783		RUJ-1783	HARDTOP
LANCER	LA, LB, LC	9/74-8/81	RUJ-1783		RUJ-1783	
L200 EXPRESS UTE	MA, MB, MC, MD 1/2 TONNE 2WD	3/80-10/86	RUJ-1783	RUJ-1783	RUJ-1783	
	MA, MB, MC, MD 1 TONNE 2WD	3/80-10/86	RUJ-2045	RUJ-2045	RUJ-2045	
	MA, MB, MC, MD 4WD	6/81-10/86	RUJ-1783		RUJ-1783	FRONT SHAFT
		6/81-10/86	RUJ-2045		RUJ-2045	REAR SHAFT
L300 EXPRESS VAN & STAR WAGON	SA-SE 2WD	4/80-9/86	RUJ-1783		RUJ-1783	
	SC-WA 4WD	5/83-	RUJ-1783		RUJ-1783	FRONT SHAFT
	SC-WA 4WD	5/83-	RUJ-2045		RUJ-1783	REAR SHAFT
	SF-WA 2WD 2.0L	10/86-	RUJ-1783		RUJ-1783	
	SF-WA 2WD 2.4L PET, 2.5L DIESEL	10/86-	RUJ-2045		RUJ-2045	
PAJERO	NA, NG	1983-90	RUJ-1783		RUJ-1783	EXC LWB - V6 FRONT SHAFT
	NA, NG	1983-90	RUJ-2045		RUJ-2045	EXC LWB - V6 REAR SHAFT
	ND, NG	1986-91	RUJ-1783		RUJ-1783	LWB V6 ONLY FRONT SHAFT
	ND, NG	1986-91	RUJ-3006		RUJ-3006	LWB V6 ONLY REAR SHAFT
	NH, NJ	5/91-97	RUJ-1783		RUJ-1783	FRONT SHAFT
	NH, NJ	5/91-97	RUJ-3006		RUJ-3006	REAR SHAFT
	NK, NM	11/96-11/02	RUJ-1783		RUJ-1783	FRONT SHAFT

# APPLICATION LISTING

Make	Model	Year	Joint Position			Notes
			Front	Middle	Rear	
<b>MITSUBISHI continued</b>						
PAJERO continued	NK, NM DIESEL	11/96- 11/02	901002		901002	REAR SHAFT
	NK, NM V6 PETROL & TURBO DIESEL	11/96- 11/02	901014		901014	REAR SHAFT
SCORPION	GE	3/78-6/79	RUJ-1783		RUJ-1783	
	GH	7/79-10/80	RUJ-1786		RUJ-1786	
	GJ, GK, GL (MANUAL TRANSMISSION)	11/80-9/85	RUJ-1786		RUJ-1786	
	GJ, GK, GL (AUTO TRANSMISSION) MOST	11/80-9/85	RUJ-2045		RUJ-2045	76.5MM ACROSS CAPS
	GJ, GK, GL (AUTO TRANSMISSION) SOME	11/80-9/85	RUJ-1783		RUJ-1783	63.8MM ACROSS CAPS
SIGMA	GE, GH, GJ, GK, GN	10/77- 12/87	RUJ-1786		RUJ-1786	
STARION	JA, JB, JD	82-87	RUJ-2045	RUJ-2045	RUJ-2045	
TRITON	ME, MF, MG, MH, M J 2WD 4CYL	86-	RUJ-2045	RUJ-2045	RUJ-2045	MEASURE U/JOINT DIMENSIONS TO ENSURE CORRECT SIZE
	Some can have		RUJ-1783	RUJ-1783	RUJ-1783	MEASURE U/JOINT DIMENSIONS TO ENSURE CORRECT SIZE
	MJ 2WD V6	9/92-	901002	901002	901002	
	ME, MF, MG 4WD	86-91	RUJ-1783		RUJ-1783	FRONT SHAFT
			RUJ-2045	RUJ-2045	RUJ-2045	REAR SHAFT (SOME V6 & TURBO DIESEL USE RUJ-3006)
	MH, MJ 4WD	9/92-	RUJ-1783		RUJ-1783	FRONT SHAFT
			901002	901002	901002	REAR SHAFT
	MK, ML V6 & TUR- BO DIESEL		901014	901014	901014	REAR SHAFT
<b>NISSAN</b>						
	B10,B20	1967-70	RUJ-1780		RUJ-1780	
1000-1200	B120	1970-74	RUJ-1780		RUJ-1780	JAPANESE PRODUCTION
	B120	1970-74	RUJ-1786		RUJ-1786	AUSTRALIAN PRODUCTION
		1974-79	RUJ-1786		RUJ-1786	AUSTRALIAN PRODUCTION
120Y, SUNNY	B210,VB210, B310	1974-81	RUJ-1780		RUJ-1780	SOME JAPANESE PRODUCTION
			902004		902004	MOST JAPANESE STAKED JOINT
1600, 180B, 200B	510,610B,810B	1968-81	RUJ-1781		RUJ-1781	JAPANESE PRODUCTION
	510, 610B, 810B	1968-81	RUJ-1786	RUJ-1786	RUJ-1786	AUSTRALIAN PRODUCTION
	510,610B,810B	1968-81			RUJ-2028	IRS HALF SHAFTS
						SOME VEHICLES HAVE STAKED JOINTS - REF TO NOTE END OF SECTION
2000, 2300, 2400		1966-73	RUJ-1781		RUJ-1781	

# APPLICATION LISTING

Make	Model	Year	Joint Position			Notes
			Front	Middle	Rear	
NISSAN continued						
240C, 260C, 280C, 240K		1973-77	RUJ-1781	RUJ-1781	RUJ-1781	
240K		1973-77			RUJ-2028	IRS HALF SHAFTS
200SX		1994 on				VEHICLES HAVE STAKED JOINTS -REF TO NOTE END OF SECTION
240Z, 260Z, 280Z, 280ZX		1967-86	RUJ-1781		RUJ-1781	
					RUJ-2028	IRS HALF SHAFTS
300ZX	Z31,Z32, Z31 TURBO	1986-97				VEHICLES HAVE STAKED JOINTS -REF TO NOTE END OF SECTION
BLUEBIRD	910	1981-86	RUJ-1786	RUJ-1786	RUJ-1786	
GAZELLE	S12	1984-88				VEHICLES HAVE STAKED JOINTS -REF TO NOTE END OF SECTION
NOMAD		1986-92	902004		902004	VEHICLES HAVE STAKED JOINTS -REF TO NOTE END OF SECTION
PINTARA	R31 MANUAL	1986-90	RC-100R231	RUJ-1786	RUJ-1786	RUBBER COUPLING
	R31 AUTO	1986-90	RC-BMW-002	RUJ-1786	RUJ-1786	RUBBER COUPLING
SKYLINE		1978-80	RUJ-1781	RUJ-1781	RUJ-1781	
		1978-80			RUJ-2028	IRS HALF SHAFTS
	R30	1981-86				VEHICLES HAVE STAKED JOINTS -REF TO NOTE END OF SECTION
	R31	1986-88	RUJ-2030	CV-856	RUJ-2030	
	R31	6/88-91	RUJ-2038	CV-855	RUJ-2038	
STANZA	A10	1978-83	RUJ-1781	RUJ-1781	RUJ-1781	JAPANESE PRODUCTION
	A10	1978-83	RUJ-1786	RUJ-1786	RUJ-1786	AUSTRALIAN PRODUCTION
COMMERCIAL						
520-620-720		1965-68	K5-LGB80R		K5-LGB80R	SOME MODELS
		1968-3/83	RUJ-1781	RUJ-1781	RUJ-1781	2WD & 4WD
720		4/83-85	RUJ-2028	RUJ-2028	RUJ-2028	
CABALL		1971-81	RUJ-2028		RUJ-2028	
CABSTAR	PF22 PETROL	1982-86	RUJ-1781		RUJ-1781	
	EF22 SD25 DIESEL	1982-86	RUJ-2040		RUJ-2040	

# APPLICATION LISTING

Make	Model	Year	Joint Position			Notes
			Front	Middle	Rear	
NISSAN continued						
NAVARA	D21 2WD Z20, Z24 PETROL	1986-	901012	901012	901012	
	D21 2WD SD25, TD27 DIESEL	1986-92	RUJ-1781		RUJ-1781	
	D21 4WD	1985-8/87	RUJ-1781		RUJ-1781	FRONT SHAFT
		1985-8/87	RUJ-2028	RUJ-2028	RUJ-2028	REAR SHAFT
	D21 4WD	8/87-2/97	901012		901012	FRONT SHAFT
	D22 4 Cyl 4WD	3-97-	901012		901012	FRONT SHAFT
	D22 4 Cyl 2 & 4WD	3-97-	901012	901012	901012	REAR SHAFT
	D22 V6 3.0L 4WD	3-97-	901012		901012	FRONT SHAFT
	D22 V6 3.0L, 3.2L DIESEL 2&4WD	3-97-	RUJ-2028	RUJ-2028	RUJ-2028	REAR SHAFT
	D40 4WD 4.0L V6 PETROL	12/05-	5-178XP		5-178XP	REAR SHAFT
	D40 4WD 2.5L TURBO DIESEL	12/05-	RUJ-3002		RUJ-3002	REAR SHAFT
	D40 4WD ALL	12/05-	K5-13XR		K5-13XR	FRONT SHAFT
PATHFINDER	4 Cyl WNY21	1986-8/87	RUJ-1781		RUJ-1781	FRONT SHAFT
	4 Cyl WNY21	1986-8/87	RUJ-2028	RUJ-2028	RUJ-2028	REAR SHAFT
	4 Cyl	8/87-8/92	901012		901012	FRONT SHAFT
	4 Cyl	8/87-8/92	901012	901012	901012	REAR SHAFT
	V6 3.0L	8/92-11/95	901012		901012	FRONT SHAFT
	V6 3.0L	8/92-11/95	RUJ-2028	RUJ-2028	RUJ-2028	REAR SHAFT
	V6 3.3L	11/1995-	901012		901012	FRONT SHAFT
	V6 3.3L	11/1995-	RUJ-2028	RUJ-2028	RUJ-2028	REAR SHAFT
PATROL	G60	1959-80	5-178X		5-178X	FRONT & REAR SHAFT
	MQ	1980-87	RUJ-2028		RUJ-2028	FRONT & REAR SHAFT
	GQ 4.2L	1987-97	901003		901003	REAR SHAFT
	GQ 4.2L	1987-97	RUJ-2028		RUJ-2028	FRONT SHAFT
	GQ 3.0 & 2.8L	1989-97	RUJ-2028		RUJ-2028	FRONT & REAR SHAFT
	GU 2.8L TURBO DIESEL	12/97-5/00	RUJ-2028		RUJ-2028	FRONT & REAR SHAFT
	GU PETROL, DIESEL, TURBO DIESEL	12/97-	RUJ-2028		RUJ-2028	FRONT SHAFT
		12/97-	901003		901003	REAR SHAFT
TERRANO	TERRANO	1997-2000	TBA		TBA	SOME VEHICLES HAVE STAKED JOINTS -REF TO NOTE END OF SECTION
URVAN	E20, E23	1974-86	RUJ-1781		RUJ-1781	
	E24	4/87-93	901012		901012	SOME VEHICLES HAVE STAKED JOINTS - REF TO NOTE END OF SECTION
UTE	XFN	1986-91	RUJ-2038		RUJ-2038	

# APPLICATION LISTING

Make	Model	Year	Joint Position			Notes
			Front	Middle	Rear	
<b>NISSAN continued</b>						
VANETTE	C20	1974-80	RUJ-1780		RUJ-1780	SOME MODELS
	C20,C120	1980-86	RUJ-1781		RUJ-1781	SOME MODELS
						SOME VEHICLES HAVE STAKED JOINTS - REF TO NOTE END OF SECTION
X-TRAIL			TBA		TBA	VEHICLES HAVE STAKED JOINTS - REF TO NOTE END OF SECTION
<i>SOME VEHICLES HAVE STAKED JOINTS IN REAR SHAFT (UNSERVICEABLE WITHOUT SPECIAL TOOLING) REFER BEATTYS DRIVELINE TECHNOLOGIES</i>						
<b>ROVER</b>						
80, 95, 100, 110, 2000, 3500,3500S		1958-87	K5-13XR		K5-13XR	
	2000, 3500, 3500S ONLY	1963-87			5-178X	IRS HALF SHAFT
LANDROVER	SERIES I & 11	1948-62	K5-L4R		K5-L4R	FRONT & REAR SHAFT
	SERIES I & 11	1948-62	K5-GB35			FRONT AXLE SWIVEL JOINT
	SERIES IIA & III	1962-84	K5-13XR		K5-13XR	FRONT & REAR SHAFT
	SERIES IIA & III	1962-84	K5-GB35			FRONT AXLE SWIVEL JOINT
	110 & DEFENDER	1984-86	K5-13XR		K5-13XR	FRONT & REAR SHAFT
		86-	K5-L4R		K5-L4R	FRONT & REAR SHAFT
	FREELANDER	3/98-	K5-GB150		K5-GB150	FRONT SHAFT
		3/98-	CVJ N/A	K5-GB150	K5-GB150	3 PIECE REAR SHAFT
RANGEROVER		1972-85	K5-13XR		K5-13XR	FRONT & REAR SHAFT
		86-	K5-L4R		K5-L4R	FRONT & REAR SHAFT
DISCOVERY		1991-	K5-L4R		K5-L4R	FRONT & REAR SHAFT
<b>SUBARU</b>						
FORESTER	AWD	8/97-				VEHICLES HAVE STAKED JOINTS - REF TO NOTE END OF SECTION
IMPREZA	AWD	11/96-				VEHICLES HAVE STAKED JOINTS - REF TO NOTE END OF SECTION
LEONE, BRUMBY	4WD	1972-94	RUJ-1781	RUJ-1781	RUJ-1781	VEHICLES HAVE STAKED JOINTS - REF TO NOTE END OF SECTION
LIBERTY, OUTBACK	AWD	1991-	TBA		TBA	SOME VEHICLES HAVE STAKED JOINTS - REF TO NOTE END OF SECTION
L SERIES 4X4	LJ80, LJ81	1977-81	902005		902005	SOME VEHICLES HAVE STAKED JOINTS - REF TO NOTE END OF SECTION
			RUJ-1795		RUJ-1795	

# APPLICATION LISTING

Make	Model	Year	Joint Position			Notes
			Front	Middle	Rear	
<b>SUZUKI</b>						
SIERRA 4X4	SJ410	1981-	RUJ-1795		RUJ-1795	FRONT & REAR SHAFT
	SJ413	1985-	K5-A557		K5-A557	FRONT & REAR SHAFT
	SJ413	1985-	RUJ-1795		RUJ-1795	FRONT & REAR SHAFT
VITARA 4X4	SWB 1.6L	1988-	K5-A557		K5-A557	FRONT & REAR SHAFT
	LWB 1.6L	1991-	K5-A557		K5-A557	FRONT & REAR SHAFT
	LWB V6	1995-	TBA		TBA	SOME VEHICLES HAVE STAKED JOINTS - REF TO NOTE END OF SECTION
X90		1996-	TBA		TBA	VEHICLES HAVE STAKED JOINTS - REF TO NOTE END OF SECTION
<i>SOME VEHICLES HAVE STAKED JOINTS IN REAR SHAFT (UNSERVICEABLE WITHOUT SPECIAL TOOLING) REFER BEATTYS DRIVELINE TECHNOLOGIES</i>						
<b>TOYOTA</b>						
CELICA	TA, RA Series	1971-83	RUJ-1776	RUJ-1776	RUJ-1776	
		Some	902021	902021	902021	SOME VEHICLES HAVE STAKED JOINTS - REF TO NOTE END OF SECTION
COROLLA	KE10-70	1967-83	K5-A517		K5-A517	JAPANESE PRODUCTION
		1967-81	RUJ-1786		RUJ-1786	AUSTRALIAN PRODUCTION
	KE70, AE70,71,72	11/81-85	RUJ-1786	RUJ-1786	RUJ-1786	AUSTRALIAN PRODUCTION
	AE86 SPRINTER	1983-85	RUJ-2016	RUJ-2016	RUJ-2016	JAPANESE PRODUCTION
	AE95 4X4	1988-95	RUJ-1776		RUJ-1776	TAIL SHAFT - SOME
		1988-95	902021		902021	SOME VEHICLES HAVE STAKED JOINTS - REF TO NOTE END OF SECTION
CORONA	RT40-RT118	1964-5/79	RUJ-1776	RUJ-1776	RUJ-1776	JAPANESE PRODUCTION
	RT132-RT142, ST141, XT130-133	6/79-87	RUJ-1786	RUJ-1786	RUJ-1786	AUSTRALIAN PRODUCTION
			902021	902021	902021	SOME VEHICLES HAVE STAKED JOINTS - REF TO NOTE END OF SECTION
CORONA MKII	RT72, MX10-23 Series	1970-77	RUJ-1776		RUJ-1776	
CRESSIDA	MX32-MX73	1977-88	RUJ-1776	RUJ-1776	RUJ-1776	SOME MODELS
			902021	902021	902021	SOME VEHICLES HAVE STAKED JOINTS - REF TO NOTE END OF SECTION
CROWN	MS40,RS40	1964-68	RUJ-1776	RUJ-1776	RUJ-1776	JAPANESE PRODUCTION
	MS53,MS55,MS57,MS65	1968-74	RUJ-1786	RUJ-1786	RUJ-1786	AUSTRALIAN PRODUCTION
	MS83, MS85, MS111, MS112	1975-9/83	RUJ-2100	RUJ-2100	RUJ-2100	29 MM CAPS
	MS83, MS85, MS111, MS112	1975-9/83	RUJ-2041	RUJ-2041	RUJ-2041	32 MM CAPS
	MS123	10/83-88				VEHICLES HAVE STAKED JOINTS - REF TO NOTE END OF SECTION
LEXCEN	VN-VS	1989-	RUJ-2038	CV-855	RUJ-2038	



# APPLICATION LISTING

Make	Model	Year	Joint Position			Notes
			Front	Middle	Rear	
TOYOTA continued						
RAV4		6/94-	902021	902021	902021	SOME VEHICLES HAVE STAKED JOINTS - REF TO NOTE END OF SECTION
SUPRA	MA60	1981-86	RUJ-1776	RUJ-1776	RUJ-1776	
	MA70, MA71	1986-92				SOME VEHICLES HAVE STAKED JOINTS - REF TO NOTE END OF SECTION
T18	TE72	1978-82	902021		902021	VEHICLES HAVE STAKED JOINTS - REF TO NOTE END OF SECTION
TARAGO/ PREVIA/ ESTIMA	YR20,YR21,CR21 ON	1982-90	RUJ-1776		RUJ-1776	SOME MODELS
	YR20	1982-90	RUJ-2016		RUJ-2016	SOME MODELS
		1982-90	902021		902021	STAKED JOINTS
	TCR10, 11	9/90-5/00				SOME VEHICLES HAVE STAKED JOINTS - REF TO NOTE END OF SECTION
TERCEL	4WD	1983-88	902021	902021	902021	VEHICLES HAVE STAKED JOINTS - REF TO NOTE END OF SECTION
COMMERCIALS						
BLIZZARD	LD10	1982-83	K5-A522		K5-A522	FRONT & REAR SHAFTS (EXTERNAL CIRCLIPS)
			RUJ-2023		RUJ-2023	SOME HAVE (INTERNAL CIRCLIPS)
BUNDERA		1984-93	RUJ-2100		RUJ-2100	FRONT & REAR SHAFTS
COASTER	JU18, RU18	1969-72	K5-A519	K5-A519	K5-A519	
	BU19, RU19	1972-77	RUJ-2041	RUJ-2041	RUJ-2041	
	All	1977-	RUJ-2041	RUJ-2041	RUJ-2041	
DYNA	All	1962-74	K5-A519	K5-A519	K5-A519	
	All	1974-84	RUJ-2041	RUJ-2041	RUJ-2041	
	Dyna 100	1986-01	RUJ-2041		RUJ-2041	
	Dyna 150	1985-88	RUJ-2041		RUJ-2041	
	Dyna 200, 300, 400	1985-	RUJ-2041	RUJ-2041	RUJ-2041	
HIACE	RH, LH	1967-89	RUJ-2016		RUJ-2016	
	RZH/LH103,113	1989-	RUJ-2100		RUJ-2100	SOME VEHICLES HAVE STAKED JOINTS - REF TO NOTE END OF SECTION
HILUX 2WD	RN13-RN41, LN30-LN56, YN55-YN58, LN85, YN85	1968-88	RUJ-2016	RUJ-2016	RUJ-2016	
	2WD LN86, RN85, RN90, RZN147,149,154	1988-	RUJ-2100	RUJ-2100	RUJ-2100	SOME HAVE RUJ-2016

# APPLICATION LISTING

Make	Model	Year	Joint Position			Notes
			Front	Middle	Rear	
<b>TOYOTA continued</b>						
HILUX 2WD continued	2WD KUN15 3.0, GGN15 4.0, TGN16R WORKMATE 2.7	3/05-	RUJ-2100	RUJ-2100	RUJ-2100	
HILUX 4WD, 4 RUNNER	4WD LN40, LN46	1979-7/83	RUJ-2100		RUJ-2100	REAR SHAFT
	4WD LN65, YN65, YN67, RN105, RN106, RN110 &	8/83-	RUJ-2100		114-2501* X 2	FRONT SHAFT 13MM PIN SCV-35
	RZN169, RZN174	8/83-	RUJ-2100	RUJ-2100	RUJ-2100	REAR SHAFT
	4WD VZN167R	10/01-2/05	RUJ-2100		114-2501* X 2	FRONT SHAFT 12MM PIN SCV-34
	4WD VZN167R	10/01-2/05	RUJ-2100	902028	RUJ-2100	REAR SHAFT HAS A DOUBLE CARDAN ASSY IN MIDDLE
	4WD KUN26 3.0 DT, GGN25R 4.0 V6	3/05-	RUJ-2100	902028	RUJ-2100	F & R SHAFTS (SOME VEHICLES USE K5-13XR - EXTERNAL CIRCLIPS)
LANDCRUISER	All	1965-1/74	K5-A519		K5-A519	FRONT & REAR SHAFTS
	All	1/74-1/90	RUJ-2041		RUJ-2041	FRONT & REAR SHAFTS
	75, 78, 79 SERIES	1/90-	RUJ-2100		RUJ-2100	FRONT SHAFT
	75, 78, 79 SERIES	1/90-	RUJ-2041		RUJ-2041	REAR SHAFT
	80 SERIES	1/90-12/99	RUJ-2100		RUJ-2100	FRONT SHAFT
LANDCRUISER	80 SERIES	1/90-12/99	RUJ-2041		RUJ-2041	REAR SHAFT
	100 SERIES	3/98-	RUJ-2100		RUJ-2100	FRONT SHAFT
	100 SERIES	3/98-	RUJ-2100		RUJ-2100	REAR SHAFT
	HDJ100, HZJ105, UZ J100, FZJ105	7/98-8/02	RUJ-2041		RUJ-2041	REAR SHAFT (SWING OUT BACK DOOR)
	UZJ100	2002-2006	RUJ-2100		RUJ-2100	REAR SHAFT
LITE ACE	All	1970-85	RUJ-1776		RUJ-1776	
		1985-	902021		902021	SOME VEHICLES HAVE STAKED JOINTS - REF TO NOTE END OF SECTION
PRADO All		1996-	RUJ-2100		RUJ-2100	FRONT SHAFT
			902028		RUJ-2100	REAR SHAFT
<i>* Double Cardan Assembly Requires 2 Pieces of 114.2501 and a Repair Kit</i>						
STOUT	RK101	1967-79	K5-A519		K5-A519	
	RK110	3/79-84	RUJ-2041		RUJ-2041	
TOWN ACE		1982-7/85	RUJ-2016		RUJ-2016	
		8/85-88				SOME VEHICLES HAVE STAKED JOINTS - REF TO NOTE END OF SECTION
<i>SCV-34 with 12mm Pins, or SCV-35 with 13mm Pins</i>						
<i>SOME VEHICLES MAY HAVE STAKED JOINTS (UNSERVICEABLE WITHOUT STAKING TOOLING) REFER BEATTYS DRIVELINE TECHNOLOGIES FOR SHAFT REPLACEMENT OPTIONS</i>						

# APPLICATION LISTING

Make	Model	Year	Joint Position			Notes
			Front	Middle	Rear	
<b>TRIUMPH</b>						
DOLOMITE	ALSO SPRINT	1975-78	K5-LGB80R		K5-LGB80R	
SPITFIRE	GTS	1962-81	K5-LGB80R		K5-LGB80R	INC IRS HALF SHAFTS
TR4		1961-66	K5-L4R		K5-L4R	
TR4A, TR5, TR6		1966-77	K5-L4R		K5-L4R	INC IRS HALF SHAFTS
STAG		1972-78	K5-L4R		K5-L4R	INC IRS HALF SHAFTS
2000, 2500 MK1,2		1966-78	K5-LGB80R		K5-LGB80R	
		1966-78	RUJ-1786		RUJ-1786	
2000, 2500, MK1,2		1966-78			K5-L4R	IRS HALF SHAFTS
TR7		1978-81	K5-LGB80R		K5-LGB80R	
<b>VOLVO</b>						
140 SERIES	ALL	1967-73	K5-LGB80R		K5-LGB80R	
	B20E,CB20	1973-75	K5-13XR	K5-13XR	K5-13XR	
	B20,B20A	1973-75	K5-LGB80R	K5-LG-B80R	K5-L4R	
160 SERIES	164E,164TE,B30E	1972-75	K5-13XR	K5-13XR	K5-13XR	
240 SERIES	B21A, B23E, B230E, B230F	1975-87	K5-LGB80R	K5-LG-B80R	K5-L4R	
	B21E	1975-80	K5-13XR	K5-13XR	K5-13XR	
260 SERIES	262,264,265	1975-86	K5-13XR	K5-13XR	K5-13XR	
740, 760 SERIES		1983-90	K5-13XR	K5-13XR	K5-13XR	SOME MODELS
		1983-90	K5-13XR	K5-L4R	K5-L4R	SOME MODELS
		1983-90	K5-L4R	K5-L4R	K5-L4R	SOME MODELS

# PART NO. INDEX

PART NO.	PAGE NO	PART NO.	PAGE NO	PART NO.	PAGE NO	PART NO.	PAGE NO
114-10000	23	114-3105-1A	11	114-7126P	22	404001	23
114-10003	23	114-3105SP	11	114-7126SP	22	404002	6
114-10007	23	114-3120	12	114-7205	22	404003	7
114-10011	23	114-3121	21	114-7206	22	405001	12
114-10011SP	23	114-3125	21	114-7207	22	405002	11
114-10033	23	114-4100	21	114-7207-4A	22	407001	7
114-1004	7	114-4105	21	114-7208	22	409001	18
114-10500	23	114-4109	12	114-7209	22	409003	18
114-11002	23	114-4110	21	114-7294	16	5-124X	20
114-12000	23	114-4113	21	114-8014	16	5-134X	10
114-12002	23	114-4141	21	114-8113	22	5-134XSP	10
114-12002SP	23	114-5031	21	114-8113-4A	22	5-150X	9
114-14000	23	114-5109	14	114-8113SP	22	5-150XSP	10
114-15002	23	114-5110	14	114-8205	22	5-155X	15
114-15002SP	23	114-5122	21	114-8206	22	5-155XR	15
114-15003	23	114-5127	21	114-8207	22	5-155XSP	15
114-15003SP	23	114-5132	14	114-8207-4A	22	5-165X	16
114-1501	7	114-5148	21	114-8208	22	5-170X	7
114-162	13	114-5154	14	114-8508	22	5-170X-1A	7
114-2101	8	114-5173	21	114-8514	23	5-170XSP	7
114-2110	21	114-5177	21	114-8516	23	5-174X	9
114-2111	8	114-5177SP	21	114-8516SP	23	5-178-1A	13
114-2111-1A	8	114-596	10	114-9014	23	5-178X	13
114-2114	8	114-6103	22	114-9016	23	5-178XR	13
114-2114-1A	9	114-6104	21	114-9016P	23	5-178XSP	13
114-2116	21	114-6107	14	114-9016SP	23	5-185X	19
114-2117	21	114-6114	22	114-9017	23	5-186X	19
114-2185	21	114-6128	21	114-9026	23	5-187X	19
114-2186	21	114-6128SP	22	114-9500	23	5-188X	14
114-2198	9	114-6135	14	114-9500SP	23	5-188XR	14
114-232	12	114-6143	23	369.10	12	5-220X	15
114-232SP	12	114-6143	23	401001	8	5-221X	15
114-2501	11	114-6150	14	401005	6	5-248X	8
114-2531	9	114-6162	22	401006	8	5-260X	9
114-3100	21	114-6285	22	401007	11	5-264X	7
114-3101	21	114-7000RHWD	16	401009	10	5-279X	17
114-3102	12	114-7126	22	402001	13	5-280X	18
114-3105	11	114-7126-4A	22	403001	18	5-281X	18

# PART NO. INDEX

PART NO.	PAGE NO	PART NO.	PAGE NO	PART NO.	PAGE NO	PART NO.	PAGE NO
5-291X	10	5-677X	18	802022-011	15	802050	17
5-297X	13	569-32	16	802023	16	802051	17
5-297X-1A	13	5-693X	15	802024	6	802052	20
5-308X	19	5-811X	12	802025	15	802054	17
5-314X	10	5-88X	14	802026	16	802054S	17
5-324X	18	687-50	18	802027	14	802056	17
5-326X	19	701006	8	802028	14	802057	17
5-327X	19	701153	13	802029	19	802057S	17
5-328X	15	701627C	6	802029S	19	802058	11
5-330X	16	703188	13	802030	15	802059	11
5-331X	16	70GUA6	8	802031	14	802060	18
5-339X	20	801001	20	802032	12	802061	15
5-345X	13	801001S	20	802033	15	802062	16
5-346X	13	802001	6	802034	15	802063	7
5-347X	14	802002	6	802035	12	802064	13
5-348X	15	802003	6	802036	20	802065	15
5-355X	10	802004	6	802036S	20	802066	18
5-356X	10	802004-1A	6	802037	6	802067	7
5-357X	13	802005	11	802038	13	802068	7
5-372X	20	802006	12	802038S	13	802069	11
5-407X	18	802006-011	12	802039	11	802070	14
5-430X	7	802007	14	802040	15	803001	18
5-438X	17	802007-011	14	802040-1A	15	803002	19
5-443X	9	802007-1A	14	802040-1AR	15	804001	22
5-460X	10	802008	15	802040-4AR	15	901001	6
5-510X	18	802009	16	802040R	15	901002	12
5-515X	18	802010	16	802041	20	901003	13
5-515X-CAT	18	802011	17	802041S	20	901004	6
5-54X	20	802011-1A	17	802042	12	901005	8
5-618XSP	10	802012	17	802043	17	901012	10
5-625XSP	9	802013	18	802043S	17	901013	12
5-627XSP	13	802016	18	802044	10	901014	12
5-632XSP	9	802016S	18	802044-011	11	901015	13
5-633XSP	10	802019	19	802045	14	901540	6
5-641XSP	13	802019S	19	802046	17	901900	16
5-674X	17	802020	14	802047	6	902001	6
5-675X	18	802021	17	802048	11	902002	6
5-676X	18	802022	15	802049	11	902004	6

# PART NO. INDEX

PART NO.	PAGE NO	PART NO.	PAGE NO	PART NO.	PAGE NO	PART NO.	PAGE NO
902005	6	903292	13	K5-A537	10	K5-A589	6
902006	7	904001	23	K5-A538	14	K5-A590	10
902007	7	904002	23	K5-A541	12	K5-A591	13
902008	7	904003	23	K5-A546	6	K5-A592	14
902009	7	904004	23	K5-A547	17	K5-A593	15
902010	7	912001	16	K5-A548	19	K5-A594	16
902011	7	912002	16	K5-A549	6	K5-A595	16
902013	14	912003	16	K5-A551	6	K5-A605	17
902014	6	912004	13	K5-A553	7	K5-A615	6
902015	15	957172	19	K5-A554	7	K5-A622	17
902016	16	CP20-RPLS	19	K5-A557	8	K5-A622S	17
902017	17	CP25-RPLS	19	K5-A558	8	K5-A625	20
902018	8	CP35N-1A	13	K5-A559	8	K5-A626	20
902019	16	CP44R	14	K5-A561	10	K5-A627	20
902020	6	CP55N	16	K5-A562	11	K5-A628	20
902021	6	CP58WB29	22	K5-A563	13	K5-A629	20
902022	17	CP58WB37	22	K5-A564	14	K5-A630	20
902023	14	CP58WB38	22	K5-A566	15	K5-A632	16
902024	9	CP6N	18	K5-A567	15	K5-A634	20
902025	6	CP750N	16	K5-A568	15	K5-A639	16
902026	11	CP850N	18	K5-A569	15	K5-A64	7
902032IC	6	CPL-10N	7	K5-A571	15	K5-A643	20
902260	6	CPL-14N	12	K5-A572	15	K5-A643S	20
902472	7	CPL-14N-1A	12	K5-A573	16	K5-A701	6
902488	7	K5-13XR	9	K5-A574	17	K5-A707	20
902774	11	K5-13XR-4A	9	K5-A575	17	K5-A708	20
902780	11	K5-13XR	9	K5-A576	17	K5-A709	20
902788	11	K5-13XRSP	9	K5-A577	17	K5-A711	20
903001	19	K5-A18R	13	K5-A578	17	K5-A712	20
903002	19	K5-A510	6	K5-A579	17	K5-A713	21
903003	19	K5-A517	6	K5-A580	17	K5-A714	20
903004	17	K5-A519	12	K5-A581	17	K5-A715	20
903005	19	K5-A522	11	K5-A582	18	K5-A716	20
903006	19	K5-A522/13XR	9	K5-A583	19	K5-A717	20
903007	20	K5-A523	15	K5-A584	19	K5-A718	20
903008	20	K5-A530	9	K5-A585	12	K5-A719	20
903009	19	K5-A532	7	K5-A587	6	K5-A725	16
903049	12	K5-A536	13	K5-A588	6	K5-A727	11

# PART NO. INDEX

PART NO.	PAGE NO	PART NO.	PAGE NO	PART NO.	PAGE NO	PART NO.	PAGE NO
K5-A729	14	RUJ-1795	8	RUJ-2505	12	U-728-1	11
K5-A729S	14	RUJ-1797	7	RUJ-3000	10	U-729	12
K5-A730	14	RUJ-2009	8	RUJ-3000-1A	10	U-730	15
K5-A730S	14	RUJ-2016	9	RUJ-3000SP	10	U-737	17
K5-A790	20	RUJ-2016SP	9	RUJ-3001	13	U-739	18
K5-A791	21	RUJ-2023	11	RUJ-3002	10	U-741	9
K5-A802	20	RUJ-2023SP	11	RUJ-3002SP	10	U-742	12
K5-A808	14	RUJ-2027	9	RUJ-3003	13	U-743	15
K5-A820	21	RUJ-2027S	9	RUJ-3004	14	U-744	15
K5-A827	17	RUJ-2028	11	RUJ-4000	12	U-746	17
K5-GB10R	13	RUJ-2028-13XR	9	RUJ-4002	12	U-747	16
K5-GB10RR	13	RUJ-2028-7260	11	RUJ-4003	21	U-752	15
K5-GB150	7	RUJ-2028SP	11	RUJ-4005	12	U-753	17
K5-GB15R	16	RUJ-2029	11	RUJ-4007	13	U-756	19
K5-GB22R	16	RUJ-2030	8	RUJ-4008	13	U-756S	19
K5-GB31R	9	RUJ-2030R	8	RUJ-4009	15	U-761	19
K5-GB36R	9	RUJ-2032	8	RUJ-8002	19	U-761S	19
K5-LGB80R	7	RUJ-2033	12	SPL-170X	19	U-763	19
K5-LGB80R-1A	7	RUJ-2033/13XR	10	SPL250XP	20	U-763S	19
K5-LGB80RP	7	RUJ-2034	8	SPL-90X	16	U-764	16
K5-L4R	9	RUJ-2038	11	U-149	7	U-765	18
K5-L4RP	9	RUJ-2038R	11	U-160	7	U-765S	18
RUJ-1500	7	RUJ-2038SP	11	U-166	6	U-767	18
RUJ-1501	6	RUJ-2039	9	U-172	11	U-767S	18
RUJ-1758	8	RUJ-2039SP	9	U-188	14	U-810	17
RUJ-1764	8	RUJ-2040	8	U-196	7	U-811	18
RUJ-1766	7	RUJ-2041	13	U-3180	20	U-812	19
RUJ-1776	9	RUJ-2041R	13	U-3208	20	U-813	19
RUJ-1780	6	RUJ-2045	8	U-3250	20	U-813S	19
RUJ-1781	8	RUJ-2045S	8	U-3285	20	U-901	6
RUJ-1781S	8	RUJ-2049	9	U-3315	20	U-901C	6
RUJ-1783	8	RUJ-2051	11	U-380	17	U-901S	6
RUJ-1784	8	RUJ-2100	12	U-381	18	U-901SL	6
RUJ-1784SP	8	RUJ-2100-13XR	10	U-384	17	U-904	18
RUJ-1786	8	RUJ-2100-1A	12	U-385	16		
RUJ-1786R	8	RUJ-2100R	12	U-386	19		
RUJ-1788	9	RUJ-2500	11	U-501	18		
RUJ-1794	9	RUJ-2500R	11	U-728	11		



A product of  
Beattys Driveline Technologies

---

Optimal Performance  
Whatever the Challenge



**New Zealand**

10 Oak Road, Wiri,  
Auckland 2104, New Zealand  
PO Box 97410, Manukau City,  
Auckland 2241, New Zealand  
Phone +64 9 263 7761  
Fax +64 9 262 0970  
Freecall 0800 800 852  
sales@beattys.co.nz  
www.beattys.co.nz

**Australia**

1-5 Jessica Place, Prestons  
NSW 2170 Australia  
Phone +61 2 9098 0435  
Fax +61 2 8015 6792  
Freecall 1800 463 693  
sales@beattys.com.au  
www.beattys.com.au