



**FLEXIBLE COUPLINGS,  
CV JOINTS &  
PRECISION COUPLINGS**



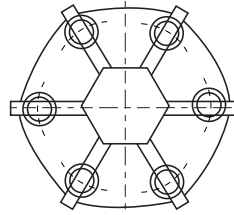
# CONTENTS

---

|  |       |
|--|-------|
| Flexible Drive Couplings - BMW , Ford                      | Pg 4  |
| Flexible Drive Couplings - Holden, Hyundai / Kia, Jaguar   | Pg 5  |
| Flexible Drive Couplings - Mercedes, Toyota, Volkswagen    | Pg 6  |
| Flexible Drive Couplings - Layrub Style                    | Pg 7  |
| RWD CV Parts - Ford, Holden                                | Pg 8  |
| RWD CV Parts - Nissan, Volvo                               | Pg 9  |
| Precision Couplings with Hardened Bushes - Single & Double | Pg 10 |
| Precision Couplings with Plain Pin - Single                | Pg 11 |
| Precision Couplings with Needle Bearings - Single          | Pg 11 |
| Precision Couplings with Needle Bearings - Double          | Pg 12 |
| Precision Couplings in Stainless Steel - Single            | Pg 12 |
| Precision Couplings in Stainless Steel - Double            | Pg 13 |
| Boots to suit Precision Couplings                          | Pg 14 |
| Precision Shafts with Hardened Bush Joints                 | Pg 15 |
| Precision Shafts with Plain Pin Joints                     | Pg 16 |
| Precision Shafts with Needle Bearing Joints                | Pg 17 |
| Precision Shafts in Stainless Steel                        | Pg 18 |

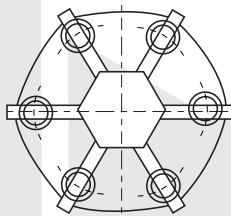
*PLEASE CONTACT US TO CONFIRM AVAILABILITY OF LISTED COMPONENTRY. OTHER PARTS & SERIES NOT SHOWN MAY BE AVAILABLE ON APPLICATION - PLEASE ENQUIRE.*

# FLEXIBLE DRIVE COUPLINGS - BMW



| PART NO                   | ITEM DESCRIPTION   | NOTES                              |
|---------------------------|--|------------------------------------|
| <b>FLEXIBLE COUPLINGS</b> |  |                                    |
| R-CBMW-1                  | BMW FLEXIBLE COUPLING - PCD 76MM, 8 X 10MM BOLTS, OD 107MM | ALL 3/5 SERIES '80                 |
| R-CBMW-2                  | BMW FLEXIBLE COUPLING - PCD 78MM, 6 X 10MM BOLTS, OD 107MM | 4/6 CYL. 2.3LT AUTO '76- /MAN '80- |
| R-CBMW-5                  | BMW FLEXIBLE COUPLING - PCD 97MM, 6 X 12MM BOLTS, OD 133MM | 6/7 SERIES MAN '80                 |

# FLEXIBLE DRIVE COUPLINGS - FORD



| PART NO                   | ITEM DESCRIPTION   | NOTES                              |
|---------------------------|--|------------------------------------|
| <b>FLEXIBLE COUPLINGS</b> |  |                                    |
| MUC-104                   | FORD FLEXIBLE COUPLING - PCD 100MM, 6 X 12MM BOLTS, 46MM THICK | CORTINA MK3                        |
| MUC-105                   | FORD FLEXIBLE COUPLING - PCD 94MM , 6 X 12MM BOLTS, 43MM THICK | CORTINA MK4                        |
| RS1375GK                  | FORD FLEXIBLE COUPLING - PCD 94MM , 6 X 12MM BOLTS, 43MM THICK | CORTINA MK5 - WITH SNOUT / SLEEVE  |
| GAJ-1-0                   | FORD FLEXIBLE COUPLING - PCD 96MM, 6 X 12MM BOLTS, OD 134MM    | FALCON BA / BF 6CYL (EXCL TURBO)   |
| GAG03-001-0               | FORD FLEXIBLE COUPLING - PCD 105MM, 6 X 12MM BOLTS, OD 142MM   | FALCON BA / BF V8 & TURBO 6CYL     |
| R-CJUR-1                  | FORD FLEXIBLE COUPLING - PCD 96MM, 6 X 12MM BOLTS, OD 130MM    | SIERRA / ALSO JAGUAR               |
| <b>CENTERING BUSHES</b>   |  |                                    |
| UD-32-140                 | CENTERING BUSH 32 OD X 16 BORE                                 | SUITS MOST FORD & COMMODORE SHAFTS |

# FLEXIBLE DRIVE COUPLINGS - HOLDEN



| PART NO                   | ITEM DESCRIPTION  | NOTES                            |
|---------------------------|---|----------------------------------|
| <b>FLEXIBLE COUPLINGS</b> |   |                                  |
| 10005422                  | COMMODORE FLEXIBLE COUPLING - PCD 96MM, 6 X 12MM BOLTS, OD 133MM      | VT SER 2 - 6/99-, V8             |
| RC-10532-01               | COMMODORE FLEXIBLE COUPLING - PCD 105MM, OD 141MM, 35MM TH. INCL SPIG | VE V6 F&R 3/08-                  |
| RCA-1058                  | COMMODORE FLEXIBLE COUPLING - PCD 100MM, OD 149MM, 40MM TH. INCL SPIG | VT SER 1 -6/99 V8 MAN.           |
| RCA-1060                  | COMMODORE FLEXIBLE COUPLING - PCD 96MM, 6 X 12MM BOLTS, OD 132MM      | VX-VZ/VE -08, V6 AUT F&R , MAN F |
| RCA-1061                  | COMMODORE FLEXIBLE COUPLING - PCD 96MM, 6 X 12MM BOLTS, OD 133MM      | VX-VZ V8/ VX-VE -08 REAR         |
| RCA-1062                  | COMMODORE FLEXIBLE COUPLING - PCD 110MM, 6 X 12MM BOLTS, OD 152MM     | VE V8 F&R                        |

# FLEXIBLE DRIVE COUPLINGS - HYUNDAI / KIA

| PART NO                   | ITEM DESCRIPTION   | NOTES                               |
|---------------------------|--|-------------------------------------|
| <b>FLEXIBLE COUPLINGS</b> |  |                                     |
| GAH04-001-0               | HYUNDAI/KIA FLEXIBLE COUPLING - PCD 78MM, 6 X 12MM BOLTS, OD 111MM | SANTE FE V6/TUCSON/SPORTAGE V6 2.7L |

# FLEXIBLE DRIVE COUPLINGS - JAGUAR

| PART NO                   | ITEM DESCRIPTION  | NOTES                                 |
|---------------------------|---|---------------------------------------|
| <b>FLEXIBLE COUPLINGS</b> |   |                                       |
| R-CJUR-1                  | JAGUAR FLEXIBLE COUPLING - PCD 96MM, 6 X 12MM BOLTS, OD 130MM | ALSO SUITS BMW, FORD, VAUXHALL, VOLVO |
| R-CJUR-2                  | JAGUAR FLEXIBLE COUPLING - PCD 96MM, OD 130MM, 35MM THICK     |                                       |
| <b>CENTERING BUSHES</b>   |   |                                       |
| R-CJUR-1CB14              | GUIBO CENTRE BUSH - SUIT 14MM PIN                             |                                       |
| R-CJUR-1CB16              | GUIBO CENTRE BUSH - SUIT 16MM PIN                             |                                       |
| <b>TUBE YOKES</b>         |   |                                       |
| R/CJUR-1FL                | 3 ARM TUBE YOKE - TO SUIT R/CJUR-2 COUPLING                   |                                       |

# FLEXIBLE DRIVE COUPLINGS - MERCEDES

| PART NO                   | ITEM DESCRIPTION   | NOTES                        |
|---------------------------|--|------------------------------|
| <b>FLEXIBLE COUPLINGS</b> |  |                              |
| R-CMER-8                  | MERCEDES FLEXIBLE COUPLING - PCD 80MM, 6 X 10MM BOLTS, OD 128MM  | 190/200/250 E-D '88-         |
| R-CMER-6                  | MERCEDES FLEXIBLE COUPLING - PCD 90MM, 6 X 10MM BOLTS, OD 124MM  | 200-250 SERIES, '68-'75      |
| R-CMER-3                  | MERCEDES FLEXIBLE COUPLING - PCD 90MM, 6 X 10MM BOLTS, OD 128MM  | 250/280/350 E, S, SE, SL     |
| R-CMER-1                  | MERCEDES FLEXIBLE COUPLING - PCD 110MM, 6 X 12MM BOLTS, OD 150MM | 380/420/500 SE, SEL - SL 84- |

# FLEXIBLE DRIVE COUPLINGS - TOYOTA



| PART NO                   | ITEM DESCRIPTION   | NOTES                  |
|---------------------------|--|------------------------|
| <b>FLEXIBLE COUPLINGS</b> |  |                        |
| TO-RB-005-12              | TOYOTA FLEXIBLE COUPLING - PCD 80MM, 12MM BUSH, OD 125MM | PREVIA / TARAGO PETROL |
| TO-RB-305-14              | TOYOTA FLEXIBLE COUPLING - PCD 80MM, 14MM BUSH, OD 125MM | PREVIA / TARAGO PETROL |
| TO-RB-006-14              | TOYOTA FLEXIBLE COUPLING - PCD 85MM, 14MM BUSH, OD 129MM | PREVIA / TARAGO DIESEL |

# FLEXIBLE DRIVE COUPLINGS - VOLKSWAGEN



| PART NO                   | ITEM DESCRIPTION  | NOTES   |
|---------------------------|---|---------|
| <b>FLEXIBLE COUPLINGS</b> |   |         |
| GAP01-003                 | VW FLEXIBLE COUPLING - PCD 110MM, 6 X 12MM BOLTS 38MM THICK INCL SPIGOT | TOUAREG |

# FLEXIBLE DRIVE COUPLINGS - LAYRUB STYLE



| PART NO                   | ITEM DESCRIPTION   | NOTES |
|---------------------------|--|-------|
| <b>FLEXIBLE COUPLINGS</b> |  |       |
| LA21001                   | LAYRUB COUPLING TYPE 40 - 2/4, PCD 65.08MM, OD 102MM, M10 BOLT   |       |
| LA21002                   | LAYRUB COUPLING TYPE 50 - 2/4, PCD 80.96MM, OD 128MM, M12 BOLT   |       |
| LA21003                   | LAYRUB COUPLING TYPE 55 - 2/4, PCD 88.00MM, OD 140MM, M12 BOLT   |       |
| LA21007                   | LAYRUB COUPLING TYPE 70 - 2/4, PCD 109.54MM, OD 178MM, M14 BOLT  |       |
| LA21010                   | LAYRUB COUPLING TYPE 80 - 2/4, PCD 125.42MM, OD 203MM, M16 BOLT  |       |
| LA21013                   | LAYRUB COUPLING TYPE 100 - 2/4, PCD 157.12MM, OD 254MM, M20 BOLT |       |
| <b>TUBE YOKE</b>          |  |       |
| LA100-26-001              | LAYRUB TUBE YOKE - 3.00 TUBE                                     |       |

# RWD CV PARTS - FORD

CV JOINT



CV BOOT



| PART NO          | ITEM DESCRIPTION   | NOTES           |
|------------------|--|-----------------|
| <b>CV JOINTS</b> |  |                 |
| CV860            | FORD FALCON BA V8, XR6 & XR8 REAR CV JOINT KIT - 86MM PCD X 32 SPL, 99.4MM O.D.  | WITH CENTRE U/J |
| CV861            | FORD FALCON BA V8, XR6 & XR8 REAR CV JOINT KIT - 86MM PCD X 25 SPL, 100MM O.D.   | WITH CENTRE C/V |
| 86-H288          | FORD FALCON BA V8, XR6 & XR8 MIDDLE CV JOINT KIT - 94MM PCD X 28 SPL, 108MM O.D. | WITH CENTRE C/V |
| <b>CV BOOTS</b>  |  |                 |
| CV877            | FORD FALCON BOOT KIT   | PART OF CV860   |
| CV866            | FORD FALCON BOOT KIT   | PART OF CV861   |
| CV863            | FORD FALCON BOOT KIT   | PART OF 86-H288 |

# RWD CV PARTS - HOLDEN

CV JOINT



CV BOOT



| PART NO                      | ITEM DESCRIPTION  | NOTES           |
|------------------------------|---|-----------------|
| <b>CV JOINT SERVICE KITS</b> |   |                 |
| CV856                        | HOLDEN COMMODORE 6CYL CV SERVICE KIT - 80MM PCD X 24 SPL, 94MM O.D  | MODELS VB - VL  |
| CV855                        | HOLDEN COMMODORE 8CYL CV SERVICE KIT - 86MM PCD X 25 SPL, 100MM O.D | ALSO 6CYL VN ON |
| <b>CV BOOT KITS</b>          |   |                 |
| CV852                        | HOLDEN COMMODORE 6CYL CV BOOT KIT ONLY                              |                 |
| CV853                        | HOLDEN COMMODORE 8CYL CV BOOT KIT ONLY                              |                 |



# RWD CV PARTS - NISSAN

CV JOINT



CV BOOT



| PART NO                      | ITEM DESCRIPTION   | NOTES                 |
|------------------------------|--|-----------------------|
| <b>CV JOINT SERVICE KITS</b> |  |                       |
| CV856                        | NISSAN SKYLINE CV SERVICE KIT - 80MM PCD X 24 SPL, 94MM O.D  | MODEL R31 1986 - 1988 |
| CV855                        | NISSAN SKYLINE CV SERVICE KIT - 86MM PCD X 25 SPL, 100MM O.D | MODEL R31 6/88 - 1991 |
| <b>CV BOOT KITS</b>          |  |                       |
| CV852                        | NISSAN SKYLINE CV BOOT KIT ONLY                              | TO SUIT CV856         |
| CV853                        | NISSAN SKYLINE CV BOOT KIT ONLY                              | TO SUIT CV855         |

# RWD CV PARTS - VOLVO

CV JOINT



CV BOOT

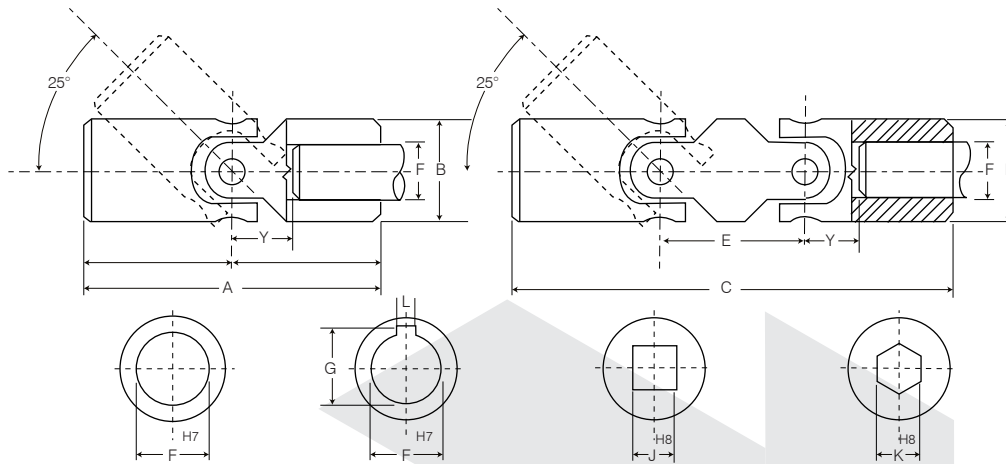


CV END COVER



| PART NO               | ITEM DESCRIPTION   | NOTES |
|-----------------------|--|-------|
| <b>CV JOINTS</b>      |  |       |
| CVJ-V1                | VOLVO XC-90 CV PLUNGING JOINT - 65MM PCD X 24 SPL, 78MM O.D. |       |
| <b>CV BOOT KIT</b>    |  |       |
| CVB-V1                | VOLVO XC-90 RUBBER BOOT                                      |       |
| <b>CV SMALL PARTS</b> |  |       |
| CVC-V1                | VOLVO XC-90 CV END COVER                                     |       |

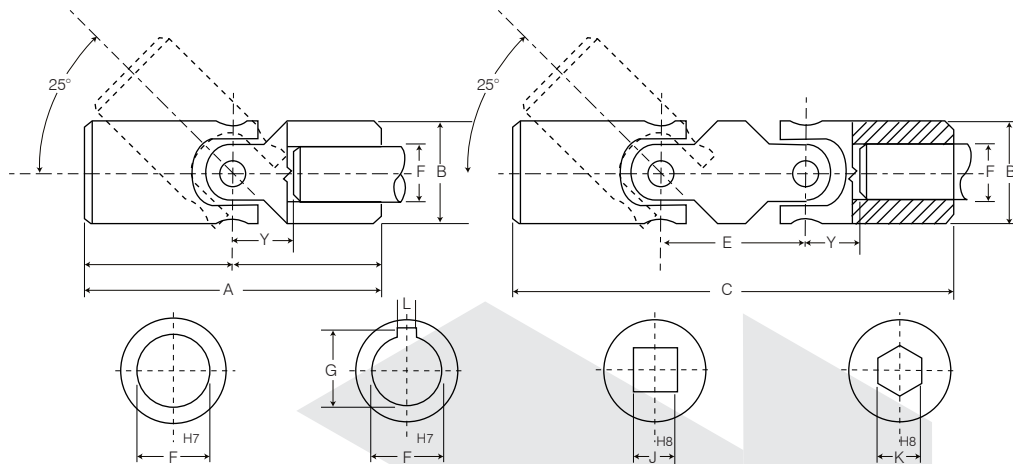
# PRECISION COUPLINGS WITH HARDENED BUSHES



Y - JOINT CENTRE TO SHAFT END MIN. = B/2 + 2

| PART NO              | ITEM DESCRIPTION    | DIMENSIONS/MAX. RECOMMENDED MACHINING |        |        |                 |                 |                 |               |               |            |
|----------------------|---------------------|---------------------------------------|--------|--------|-----------------|-----------------|-----------------|---------------|---------------|------------|
|                      |                     | A Min.                                | A Std. | B Dia. | F Plain Bore    | G Bore & Keyway | L Keyway        | J Square Bore | K Hex Bore    |            |
| <b>SINGLE JOINTS</b> |                     |                                       |        |        |                 |                 |                 |               |               |            |
| 102A                 | 16MM X 56MM SINGLE  | 40                                    | 56     | 16     | 8               | 9               | 2               | -             | -             |            |
| 103A                 | 22MM X 76MM SINGLE  | 45                                    | 76     | 22     | 10              | 11.4            | 3               | 10            | 10            |            |
| 104A                 | 25MM X 86MM SINGLE  | 50                                    | 86     | 25     | 12              | 13.8            | 4               | 12            | 12            |            |
| 105A                 | 29MM X 90MM SINGLE  | 56                                    | 90     | 29     | 14              | 16.3            | 5               | 14            | 14            |            |
| 106A                 | 32MM X 95MM SINGLE  | 65                                    | 95     | 32     | 16              | 18.3            | 5               | 16            | 16            |            |
| 107A                 | 37MM X 108MM SINGLE | 72                                    | 108    | 37     | 18              | 20.8            | 6               | 18            | 18            |            |
| 108A                 | 40MM X 127MM SINGLE | 82                                    | 127    | 40     | 20              | 22.8            | 6               | 20            | 20            |            |
| 109A                 | 47MM X 127MM SINGLE | 95                                    | 127    | 47     | 22              | 24.8            | 6               | 22            | 22            |            |
| 110A                 | 50MM X 140MM SINGLE | 108                                   | 140    | 50     | 25              | 28.3            | 8               | 25            | 25            |            |
| 111A                 | 58MM X 166MM SINGLE | 122                                   | 166    | 58     | 30              | 33.3            | 8               | 30            | 35            |            |
| 111/1A               | 63MM X 178MM SINGLE | 140                                   | 178    | 63     | 30              | 33.3            | 8               | 30            | 35            |            |
| 112A                 | 70MM X 178MM SINGLE | 140                                   | 178    | 70     | 35              | 38.3            | 10              | 30            | 35            |            |
| <b>DOUBLE JOINTS</b> |                     |                                       |        |        |                 |                 |                 |               |               |            |
|                      |                     | C Min.                                | C Std. | B Dia. | E Joint Centres | F Plain Bore    | G Bore & Keyway | L Keyway      | J Square Bore | K Hex Bore |
| 103AD                | 20MM X 76MM DOUBLE  | -                                     | 75     | 20     | 30              | 10              | 11.4            | 3             | 10            | 10         |
| 104AD                | 22MM X 115MM DOUBLE | 79                                    | 115    | 22     | 29              | 12              | 13.8            | 4             | 12            | 12         |
| 105AD                | 25MM X 123MM DOUBLE | 89                                    | 123    | 25     | 33              | 14              | 16.3            | 5             | 14            | 14         |
| 106AD                | 29MM X 132MM DOUBLE | 100                                   | 130    | 29     | 35              | 16              | 18.3            | 5             | 16            | 16         |
| 107AD                | 32MM X 147MM DOUBLE | 111                                   | 147    | 32     | 39              | 18              | 20.8            | 6             | 18            | 18         |
| 108AD                | 40MM X 162MM DOUBLE | 128                                   | 162    | 40     | 46              | 20              | 22.8            | 6             | 20            | 20         |
| 109AD                | 40MM X 173MM DOUBLE | 128                                   | 173    | 40     | 46              | 2               | 24.8            | 6             | 22            | 22         |
| 110AD                | 50MM X 220MM DOUBLE | 169                                   | 220    | 50     | 59              | 25              | 28.3            | 8             | 25            | 25         |

# PRECISION COUPLINGS WITH PLAIN PIN



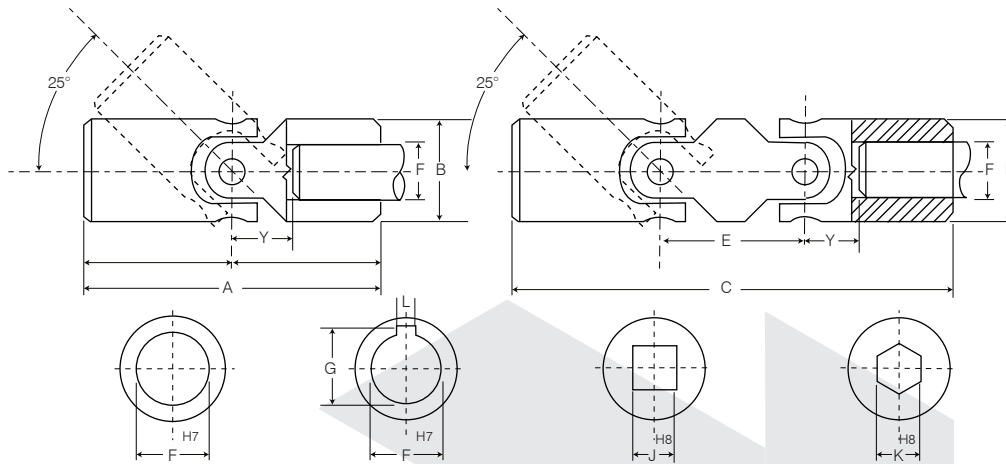
Y - JOINT CENTRE TO SHAFT END MIN. = B/2 + 2

| PART NO  | ITEM DESCRIPTION     | DIMENSIONS/MAX. RECOMMENDED MACHINING |        |        |              |                 |          |               |            |  |
|----------|----------------------|---------------------------------------|--------|--------|--------------|-----------------|----------|---------------|------------|--|
|          |                      | A Min.                                | A Std. | B Dia. | F Plain Bore | G Bore & Keyway | L Keyway | J Square Bore | K Hex Bore |  |
|          | <b>SINGLE JOINTS</b> |                                       |        |        |              |                 |          |               |            |  |
| 100AL    | 10MM X 40MM SINGLE   | 40                                    | 40     | 10     | 5            | -               | -        | -             | -          |  |
| 101AL/50 | 13MM X 40MM SINGLE   | 40                                    | 50     | 13     | 6            | -               | -        | -             | -          |  |
| 102AL    | 16MM X 40MM SINGLE   | 40                                    | 40     | 16     | 8            | 9               | 2        | 8             | -          |  |
| 105AL    | 29MM X 75MM SINGLE   | 56                                    | 74     | 29     | 14           | 16.3            | 5        | 14            | 14         |  |

# PRECISION COUPLINGS WITH NEEDLE BEARINGS

| PART NO | ITEM DESCRIPTION     | DIMENSIONS/MAX. RECOMMENDED MACHINING |        |        |              |                 |          |               |            |  |
|---------|----------------------|---------------------------------------|--------|--------|--------------|-----------------|----------|---------------|------------|--|
|         |                      | A Min.                                | A Std. | B Dia. | F Plain Bore | G Bore & Keyway | L Keyway | J Square Bore | K Hex Bore |  |
|         | <b>SINGLE JOINTS</b> |                                       |        |        |              |                 |          |               |            |  |
| 102V    | 16MM X 56MM SINGLE   | 40                                    | 26     | 16     | 8            | 9               | 2        | -             | -          |  |
| 103V    | 20MM X 76MM SINGLE   | 48                                    | 76     | 20     | 10           | 11.4            | 3        | 10            | 10         |  |
| 105V    | 25MM X 90MM SINGLE   | 50                                    | 90     | 25     | 14           | 16.3            | 5        | 14            | 14         |  |
| 106V    | 32MM X 95MM SINGLE   | 65                                    | 95     | 32     | 16           | 18.3            | 5        | 16            | 16         |  |
| 107V    | 37MM X 108MM SINGLE  | 72                                    | 108    | 37     | 18           | 20.8            | 6        | 18            | 18         |  |
| 108V    | 40MM X 127MM SINGLE  | 82                                    | 127    | 40     | 20           | 22.8            | 6        | 20            | 20         |  |
| 109V    | 47MM X 127MM SINGLE  | 95                                    | 127    | 47     | 22           | 24.8            | 6        | 22            | 22         |  |
| 110V    | 50MM X 140MM SINGLE  | 108                                   | 140    | 50     | 25           | 28.3            | 8        | 25            | 25         |  |

# PRECISION COUPLINGS WITH NEEDLE BEARINGS



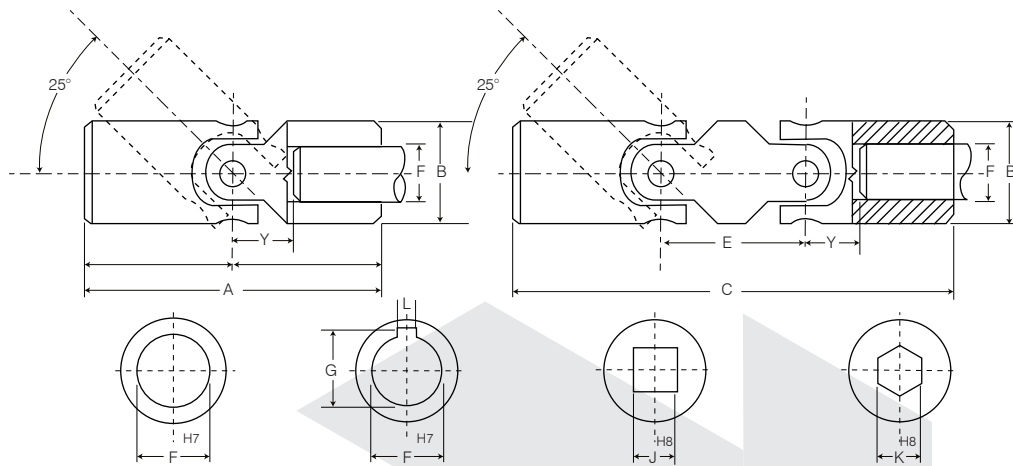
Y - JOINT CENTRE TO SHAFT END MIN. = B/2 + 2

| PART NO       | ITEM DESCRIPTION    | DIMENSIONS/MAX. RECOMMENDED MACHINING |        |        |                 |              |                 |          |               |            |
|---------------|---------------------|---------------------------------------|--------|--------|-----------------|--------------|-----------------|----------|---------------|------------|
|               |                     | C Min.                                | C Std. | B Dia. | E Joint Centres | F Plain Bore | G Bore & Keyway | L Keyway | J Square Bore | K Hex Bore |
| DOUBLE JOINTS |                     |                                       |        |        |                 |              |                 |          |               |            |
| 102DV         | 16MM X 86MM DOUBLE  |                                       | 86     | 16     |                 | 8            | 9               | 2        | -             | -          |
| 105DV         | 25MM X 123MM DOUBLE | 80                                    | 123    | 25     | 33              | 14           | 16.3            | 5        | 14            | 14         |
| 106DV         | 32MM X 130MM DOUBLE | 103                                   | 130    | 32     | 39              | 16           | 18.3            | 5        | 16            | 16         |
| 108DV         | 40MM X 162MM DOUBLE | 130                                   | 162    | 40     | 48              | 20           | 22.8            | 6        | 20            | 20         |
| 110DV         | 50MM X 199MM DOUBLE | 164                                   | 199    | 50     | 59              | 25           | 28.3            | 8        | 25            | 25         |

# PRECISION COUPLINGS IN STAINLESS STEEL

| PART NO       | ITEM DESCRIPTION    | DIMENSIONS/MAX. RECOMMENDED MACHINING |        |        |              |                 |          |               |            |  |
|---------------|---------------------|---------------------------------------|--------|--------|--------------|-----------------|----------|---------------|------------|--|
|               |                     | A Min.                                | A Std. | B Dia. | F Plain Bore | G Bore & Keyway | L Keyway | J Square Bore | K Hex Bore |  |
| SINGLE JOINTS |                     |                                       |        |        |              |                 |          |               |            |  |
| 102SS         | 16MM X 58MM SINGLE  | 40                                    | 58     | 16     | 8            | 9               | 2        | 8             | -          |  |
| 103SS         | 22MM X 64MM SINGLE  | 45                                    | 64     | 22     | 10           | 11.4            | 3        | 10            | 10         |  |
| 104SS         | 25MM X 86MM SINGLE  | 50                                    | 86     | 25     | 12           | 13.8            | 4        | 12            | 12         |  |
| 105SS         | 29MM X 90MM SINGLE  | 56                                    | 90     | 29     | 14           | 16.3            | 5        | 14            | 14         |  |
| 106SS         | 32MM X 95MM SINGLE  | 65                                    | 95     | 32     | 16           | 18.3            | 5        | 16            | 16         |  |
| 108SS         | 40MM X 127MM SINGLE | 82                                    | 127    | 40     | 20           | 22.8            | 6        | 20            | 20         |  |
| 109SS         | 47MM X 127MM SINGLE | 95                                    | 127    | 47     | 22           | 24.8            | 6        | 22            | -          |  |
| 110SS         | 50MM X 140MM SINGLE | 108                                   | 140    | 50     | 25           | 28.3            | 8        | 25            | 25         |  |

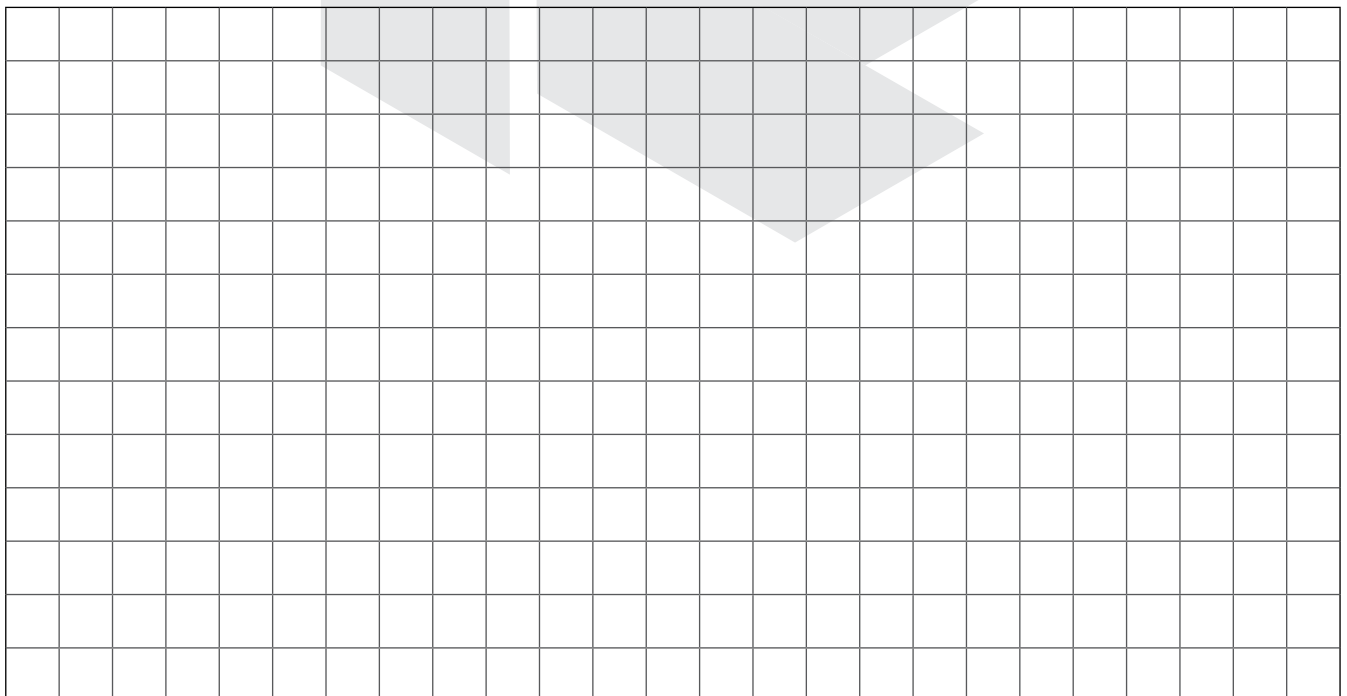
# PRECISION COUPLINGS IN STAINLESS STEEL



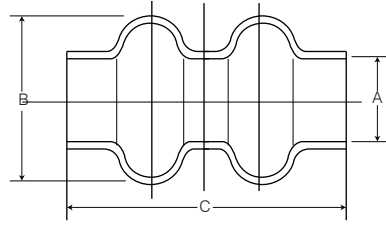
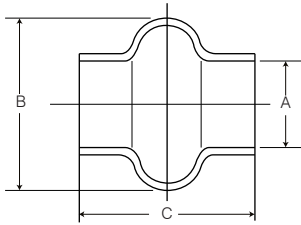
Y - JOINT CENTRE TO SHAFT END MIN. = B/2 + 2

| PART NO | ITEM DESCRIPTION    | DIMENSIONS/MAX. RECOMMENDED MACHINING |        |        |                 |              |                 |          |               |            |
|---------|---------------------|---------------------------------------|--------|--------|-----------------|--------------|-----------------|----------|---------------|------------|
|         |                     | C Min.                                | C Std. | B Dia. | E Joint Centres | F Plain Bore | G Bore & Keyway | L Keyway | J Square Bore | K Hex Bore |
| 104DSS  | 22MM X 115MM DOUBLE | 79                                    | 115    | 22     | 29              | 12           | 13.8            | 4        | 12            | 12         |

## NOTES & DRAWINGS

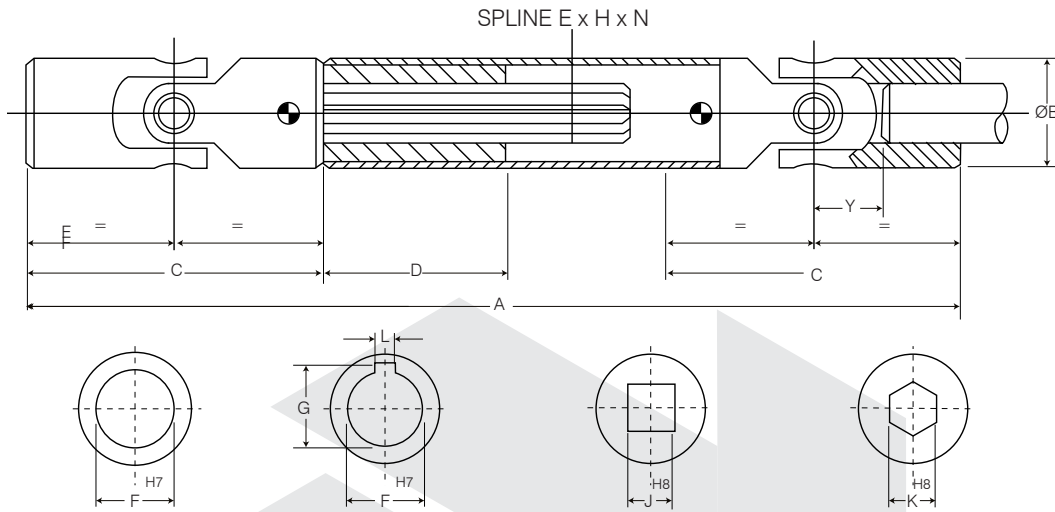


# BOOTS TO SUIT PRECISION COUPLINGS



| PART NO             | ITEM DESCRIPTION         | DIMENSIONS |        |          |
|---------------------|--------------------------|------------|--------|----------|
|                     |                          | A Dia.     | B Dia. | C Length |
| <b>SINGLE BOOTS</b> |                          |            |        |          |
| 102G/16             | BOOT TO SUIT 16MM SINGLE | 16         | 35     | 32       |
| 103G/22             | BOOT TO SUIT 22MM SINGLE | 18         | 39     | 47       |
| 104G/26             | BOOT TO SUIT 25MM SINGLE | 24.5       | 47     | 52       |
| 105G/29             | BOOT TO SUIT 29MM SINGLE | 27.5       | 51     | 58       |
| 106G/32             | BOOT TO SUIT 32MM SINGLE | 30.5       | 56     | 67       |
| 107G/37             | BOOT TO SUIT 37MM SINGLE | 35.5       | 66     | 74       |
| 108G/40             | BOOT TO SUIT 40MM SINGLE | 40         | 75     | 84       |
| 110G/50             | BOOT TO SUIT 50MM SINGLE | 50         | 93     | 110      |
| 111G/58             | BOOT TO SUIT 58MM SINGLE | 56         | 105    | 124      |
| 112G/70             | BOOT TO SUIT 70MM SINGLE | 70         | 130    | 137      |
| <b>DOUBLE BOOTS</b> |                          |            |        |          |
| 104GD/22            | BOOT TO SUIT 20MM DOUBLE | 20         | 45     | 65       |
| 105GD/26            | BOOT TO SUIT 25MM DOUBLE | 24         | 52     | 70       |
| 106GD/29            | BOOT TO SUIT 29MM DOUBLE | 28         | 56     | 80       |
| 107GD/32            | BOOT TO SUIT 32MM DOUBLE | 32         | 65     | 90       |
| 108GD/411           | BOOT TO SUIT 40MM DOUBLE | 40         | 72     | 138      |
| 110GD/50            | BOOT TO SUIT 50MM DOUBLE | 50         | 95     | 155      |

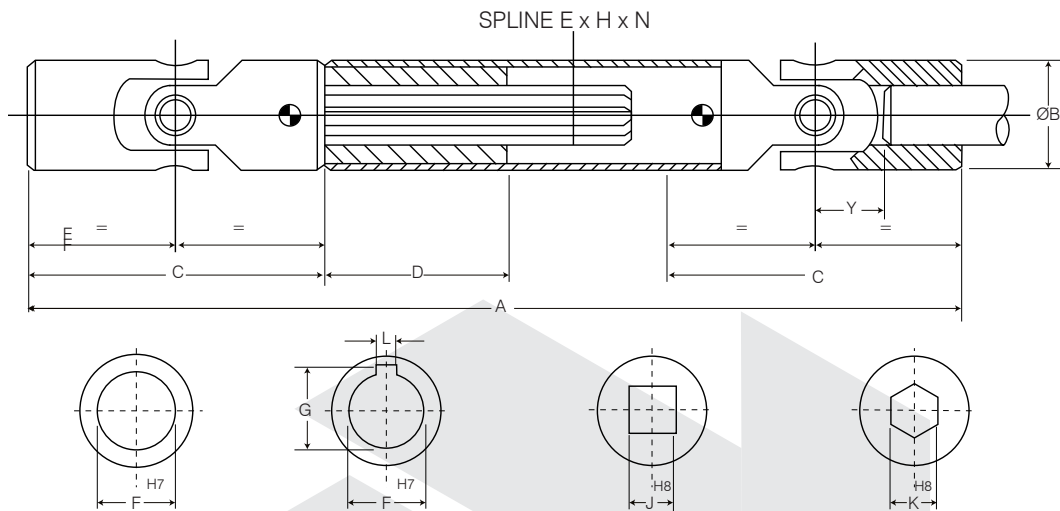
# PRECISION SHAFTS WITH HARDENED BUSH JOINTS



Y - JOINT CENTRE TO SHAFT END MIN. = B/2 + 2

| PART NO | ITEM DESCRIPTION                | DIMENSIONS         |                    |                     |                    |                       |                      |                        |                    |                       |                  |                     |                  |
|---------|---------------------------------|--------------------|--------------------|---------------------|--------------------|-----------------------|----------------------|------------------------|--------------------|-----------------------|------------------|---------------------|------------------|
|         |                                 | A<br>Min<br>Length | B<br>Joint<br>Dia. | C<br>Length<br>Min. | C<br>Length<br>Std | D<br>Sleeve<br>Length | E<br>Splined<br>Dia. | N<br>No. of<br>Splines | F<br>Plain<br>Bore | G<br>Bore &<br>Keyway | L<br>Key-<br>way | J<br>Square<br>Bore | K<br>Hex<br>Bore |
| 125A    | 132 X 22 SHAFT WITH BUSH JOINTS | 132                | 22                 | 45                  | 76                 | 40                    | 14                   | 6                      | 10                 | 11.4                  | 3                | 10                  | 10               |
| 126A    | 142 X 25 SHAFT WITH BUSH JOINTS | 142                | 25                 | 50                  | 86                 | 45                    | 16                   | 6                      | 12                 | 13.8                  | 4                | 12                  | 12               |
| 127A    | 162 X 29 SHAFT WITH BUSH JOINTS | 162                | 29                 | 56                  | 90                 | 45                    | 16                   | 6                      | 14                 | 16.3                  | 5                | 14                  | 14               |
| 128A    | 182 X 32 SHAFT WITH BUSH JOINTS | 182                | 32                 | 65                  | 95                 | 45                    | 20                   | 6                      | 16                 | 18.3                  | 5                | 16                  | 16               |
| 129A    | 197 X 37 SHAFT WITH BUSH JOINTS | 197                | 37                 | 72                  | 108                | 45                    | 20                   | 6                      | 18                 | 20.3                  | 6                | 17                  | 18               |
| 130A    | 222 X 40 SHAFT WITH BUSH JOINTS | 222                | 40                 | 82                  | 127                | 45                    | 22                   | 6                      | 20                 | 22.8                  | 6                | 20                  | 20               |
| 131A    | 252 X 47 SHAFT WITH BUSH JOINTS | 252                | 47                 | 95                  | 127                | 48                    | 25                   | 6                      | 22                 | 24.8                  | 6                | 22                  | 22               |
| 132A    | 272 X 50 SHAFT WITH BUSH JOINTS | 272                | 50                 | 108                 | 140                | 48                    | 28                   | 6                      | 25                 | 28.3                  | 8                | 25                  | 25               |
| 133A    | 322 X 58 SHAFT WITH BUSH JOINTS | 322                | 58                 | 122                 | 166                | 50                    | 32                   | 6                      | 30                 | 33.3                  | 8                | 30                  | 35               |
| 133/1A  | 352 X 63 SHAFT WITH BUSH JOINTS | 352                | 63                 | 140                 | 178                | 50                    | 38                   | 8                      | 30                 | 33.3                  | 8                | 30                  | 35               |
| 134A    | 352 X 70 SHAFT WITH BUSH JOINTS | 352                | 70                 | 140                 | 178                | 50                    | 38                   | 8                      | 35                 | 38.3                  | 10               | 36                  | 35               |
| 135A    | 392 X 80 SHAFT WITH BUSH JOINTS | 392                | 80                 | 160                 | 210                | 75                    | 48                   | 8                      | 40                 | 43.3                  | 12               | 40                  | 35               |
| 136A    | 452 X 95 SHAFT WITH BUSH JOINTS | 452                | 95                 | 190                 | 254                | 75                    | 48                   | 8                      | 50                 | 53.8                  | 14               | 50                  | 35               |

# PRECISION SHAFTS WITH PLAIN PIN JOINTS

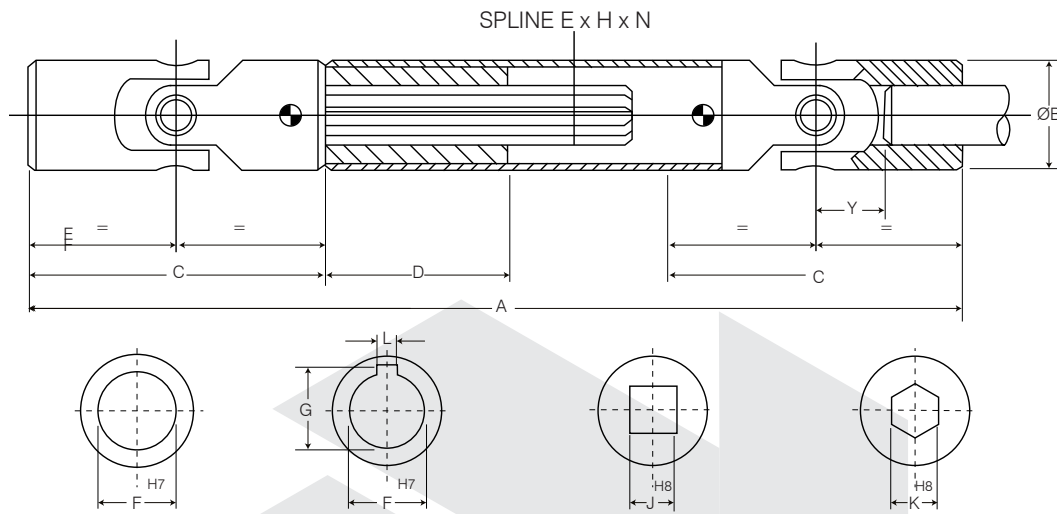


Y - JOINT CENTRE TO SHAFT END MIN. = B/2 + 2

| PART NO | ITEM DESCRIPTION                     | DIMENSIONS         |                    |                     |                    |                       |                     |                        |                    |                            |                  |                     |                  |
|---------|--------------------------------------|--------------------|--------------------|---------------------|--------------------|-----------------------|---------------------|------------------------|--------------------|----------------------------|------------------|---------------------|------------------|
|         |                                      | A<br>Min<br>Length | B<br>Joint<br>Dia. | C<br>Length<br>Min. | C<br>Length<br>Std | D<br>Sleeve<br>Length | E<br>Spline<br>Dia. | N<br>No. of<br>Splines | F<br>Plain<br>Bore | G<br>Bore &<br>Key-<br>way | L<br>Key-<br>way | J<br>Square<br>Bore | K<br>Hex<br>Bore |
| 125AL   | 132 X 20 SHAFT WITH PLAIN PIN JOINTS | 132                | 20                 | 45                  | 62                 | 40                    | 14                  | 6                      | 10                 | 11.4                       | 3                | 10                  | 10               |
| 126AL   | 142 X 25 SHAFT WITH PLAIN PIN JOINTS | 142                | 25                 | 50                  | 74                 | 45                    | 16                  | 6                      | 12                 | 13.8                       | 4                | 12                  | 12               |
| 127AL   | 162 X 29 SHAFT WITH PLAIN PIN JOINTS | 162                | 29                 | 56                  | 74                 | 45                    | 16                  | 6                      | 14                 | 16.3                       | 5                | 14                  | 14               |
| 128AL   | 182 X 32 SHAFT WITH PLAIN PIN JOINTS | 182                | 32                 | 65                  | 86                 | 45                    | 20                  | 6                      | 16                 | 18.3                       | 5                | 16                  | 16               |
| 129AL   | 197 X 37 SHAFT WITH PLAIN PIN JOINTS | 197                | 37                 | 72                  | 108                | 45                    | 20                  | 6                      | 18                 | 20.3                       | 6                | 17                  | 18               |
| 130AL   | 222 X 40 SHAFT WITH PLAIN PIN JOINTS | 222                | 40                 | 82                  | 127                | 45                    | 22                  | 6                      | 20                 | 22.8                       | 6                | 20                  | 20               |
| 131AL   | 252 X 47 SHAFT WITH PLAIN PIN JOINTS | 252                | 47                 | 95                  | 127                | 48                    | 25                  | 6                      | 22                 | 24.8                       | 6                | 22                  | 22               |
| 132AL   | 272 X 50 SHAFT WITH PLAIN PIN JOINTS | 272                | 50                 | 108                 | 132                | 48                    | 28                  | 6                      | 25                 | 28.3                       | 8                | 25                  | 25               |
| 133AL   | 322 X 58 SHAFT WITH PLAIN PIN JOINTS | 322                | 58                 | 122                 | 166                | 50                    | 32                  | 6                      | 30                 | 33.3                       | 8                | 30                  | 30               |



# PRECISION SHAFTS WITH NEEDLE BEARING JOINTS

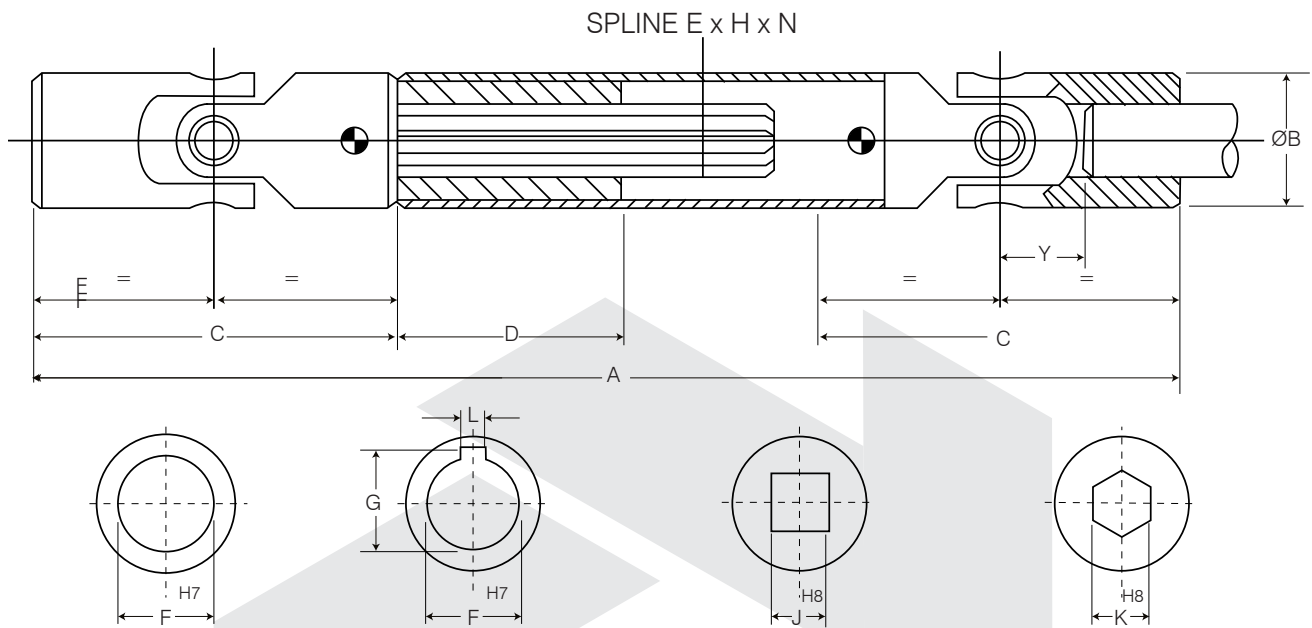


Y - JOINT CENTRE TO SHAFT END MIN. = B/2 + 2

| PART NO | ITEM DESCRIPTION                      | DIMENSIONS         |                    |                     |                    |                       |                     |                        |                    |                            |                  |                     |                  |
|---------|---------------------------------------|--------------------|--------------------|---------------------|--------------------|-----------------------|---------------------|------------------------|--------------------|----------------------------|------------------|---------------------|------------------|
|         |                                       | A<br>Min<br>Length | B<br>Joint<br>Dia. | C<br>Length<br>Min. | C<br>Length<br>Std | D<br>Sleeve<br>Length | E<br>Spline<br>Dia. | N<br>No. of<br>Splines | F<br>Plain<br>Bore | G<br>Bore &<br>Key-<br>way | L<br>Key-<br>way | J<br>Square<br>Bore | K<br>Hex<br>Bore |
| 125V *  | 132 X 20 SHAFT WITH NEEDLE BRG JOINTS | 132                | 20                 | 48                  | 76                 | 40                    | 14                  | 6                      | 10                 | 11.4                       | 3                | 10                  | 10               |
| 127V *  | 142 X 25 SHAFT WITH NEEDLE BRG JOINTS | 142                | 25                 | 50                  | 90                 | 45                    | 16                  | 6                      | 14                 | 16.3                       | 5                | 14                  | 14               |
| 128V *  | 182 X 32 SHAFT WITH NEEDLE BRG JOINTS | 182                | 32                 | 65                  | 95                 | 45                    | 20                  | 6                      | 16                 | 18.3                       | 5                | 16                  | 16               |
| 129V    | 197 X 37 SHAFT WITH NEEDLE BRG JOINTS | 197                | 37                 | 72                  | 108                | 45                    | 20                  | 6                      | 18                 | 20.8                       | 6                | 17                  | 18               |
| 130V *  | 222 X 40 SHAFT WITH NEEDLE BRG JOINTS | 222                | 40                 | 82                  | 127                | 45                    | 22                  | 6                      | 20                 | 22.8                       | 6                | 20                  | 20               |
| 131V    | 252 X 47 SHAFT WITH NEEDLE BRG JOINTS | 252                | 47                 | 95                  | 127                | 48                    | 25                  | 6                      | 22                 | 24.8                       | 6                | 22                  | 22               |
| 132V *  | 272 X 50 SHAFT WITH NEEDLE BRG JOINTS | 272                | 50                 | 108                 | 140                | 48                    | 28                  | 6                      | 25                 | 28.3                       | 8                | 25                  | 25               |
| 133V *  | 322 X 63 SHAFT WITH NEEDLE BRG JOINTS | 322                | 63                 | 122                 | 166                | 50                    | 38                  | 8                      | 30                 | 33.3                       | 8                | 30                  | 30               |
| 134V *  | 352 X 70 SHAFT WITH NEEDLE BRG JOINTS | 352                | 70                 | 140                 | 178                | 50                    | 38                  | 8                      | 35                 | 38.3                       | 10               | 30                  | 35               |
| 135V *  | 392 X 80 SHAFT WITH NEEDLE BRG JOINTS | 392                | 80                 | 160                 | 210                | 75                    | 48                  | 8                      | 40                 | 43.3                       | 12               | 30                  | 35               |
| 136V    | 452 X 95 SHAFT WITH NEEDLE BRG JOINTS | 452                | 95                 | 190                 | 254                | 75                    | 48                  | 8                      | 50                 | 53.8                       | 14               | 30                  | 35               |

\* THESE PARTS ALSO AVAILABLE IN HEAVY DUTY (HD) VERSION

# PRECISION SHAFTS IN STAINLESS STEEL



Y - JOINT CENTRE TO SHAFT END MIN. = B/2 + 2

| PART NO | ITEM DESCRIPTION                  | DIMENSIONS         |                    |                     |                    |                       |                     |                        |                    |                            |                  |                     |                  |
|---------|-----------------------------------|--------------------|--------------------|---------------------|--------------------|-----------------------|---------------------|------------------------|--------------------|----------------------------|------------------|---------------------|------------------|
|         |                                   | A<br>Min<br>Length | B<br>Joint<br>Dia. | C<br>Length<br>Min. | C<br>Length<br>Std | D<br>Sleeve<br>Length | E<br>Spline<br>Dia. | N<br>No. of<br>Splines | F<br>Plain<br>Bore | G<br>Bore &<br>Key-<br>way | L<br>Key-<br>way | J<br>Square<br>Bore | K<br>Hex<br>Bore |
| 125SS   | 132 X 22 SHAFT IN STAINLESS STEEL | 132                | 22                 | 45                  | 76                 | 40                    | 14                  | 6                      | 10                 | 11.4                       | 3                | 10                  | 10               |
| 126SS   | 142 X 25 SHAFT IN STAINLESS STEEL | 142                | 25                 | 50                  | 86                 | 45                    | 16                  | 6                      | 12                 | 13.8                       | 4                | 12                  | 12               |
| 127SS   | 162 X 29 SHAFT IN STAINLESS STEEL | 162                | 29                 | 56                  | 90                 | 45                    | 16                  | 6                      | 14                 | 16.3                       | 5                | 14                  | 14               |
| 128SS   | 182 X 32 SHAFT IN STAINLESS STEEL | 182                | 32                 | 65                  | 95                 | 45                    | 20                  | 6                      | 16                 | 18.3                       | 5                | 16                  | 16               |
| 129SS   | 197 X 37 SHAFT IN STAINLESS STEEL | 197                | 37                 | 72                  | 108                | 45                    | 20                  | 6                      | 18                 | 20.3                       | 6                | 17                  | 18               |
| 130SS   | 222 X 40 SHAFT IN STAINLESS STEEL | 222                | 40                 | 82                  | 127                | 45                    | 20                  | 6                      | 20                 | 22.8                       | 6                | 20                  | 20               |
| 131SS   | 252 X 47 SHAFT IN STAINLESS STEEL | 252                | 47                 | 95                  | 127                | 48                    | 28                  | 6                      | 22                 | 24.8                       | 6                | 22                  | 22               |
| 132SS   | 272 X 50 SHAFT IN STAINLESS STEEL | 272                | 50                 | 108                 | 140                | 48                    | 28                  | 6                      | 25                 | 28.3                       | 8                | 25                  | 25               |
| 133SS   | 322 X 58 SHAFT IN STAINLESS STEEL | 322                | 58                 | 122                 | 166                | 50                    | 30 A/F              | HEX                    | 30                 | 33.3                       | 8                | 30                  | 35               |
| 133/1SS | 352 X 63 SHAFT IN STAINLESS STEEL | 352                | 63                 | 140                 | 178                | 50                    | 41 A/F              | HEX                    | 30                 | 33.3                       | 8                | 30                  | 35               |





A product of  
Beattys Driveline Technologies

---

Optimal Performance  
Whatever the Challenge



#### **New Zealand**

4 Harbour Ridge Drive, Wiri,  
Auckland 2104, New Zealand  
PO Box 97410, Manukau City,  
Auckland, 2241 New Zealand  
Phone +64 9 263 7761  
Fax +64 9 262 0970  
Freephone: 0800 800 852  
sales@beattys.co.nz  
www.beattys.co.nz

#### **Australia**

1-5 Jessica Place, Prestons  
NSW 2170 Australia  
Phone +61 2 9098 0435  
Fax +61 2 8015 6792  
Freephone: 1800 463 693  
sales@beattys.com.au  
www.beattys.com.au